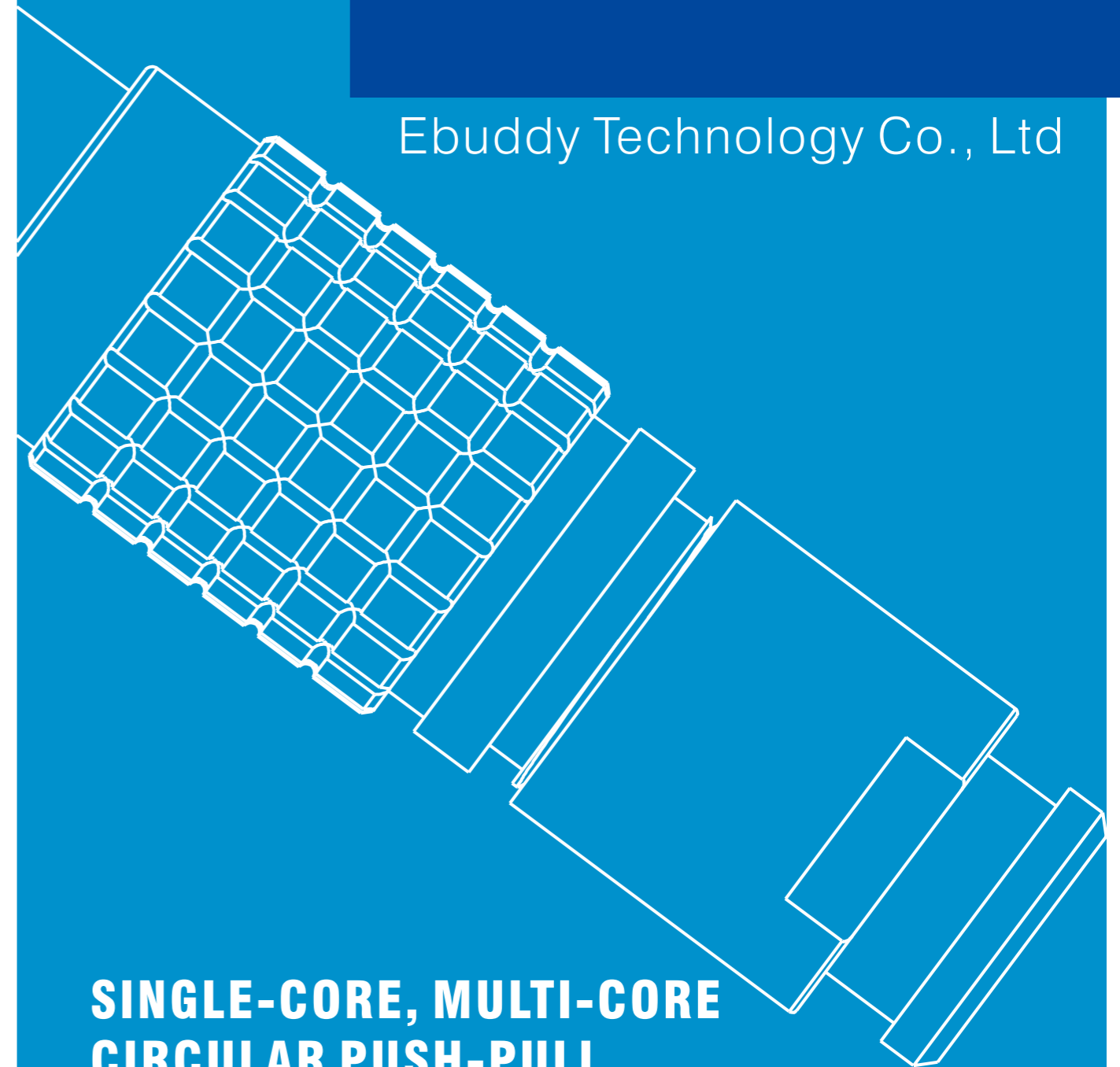




Ebuddy Technology Co., Ltd



SINGLE-CORE, MULTI-CORE CIRCULAR PUSH-PULL CONNECTOR

www.circular-cableconnectors.com



Ebuddy Technology Co., Ltd

Add: 4th floor, 7th building, Bao'an 36th Industry zone, Bao'an District, Shenzhen,
Guangdong Province, China.

Contact: Vicky Chen

Skype: Ebuddy Cables

Mob / Whatsapp: +86-158 8961 6824

Email: Vicky@ebuddy-diy-cable.com



Ebuddy is a global leading high precision push-pull connector and cable assembly solution provider which has designed, manufactured, and distributed high precision push-pull circular connector and cable assembly. Its ranged products are widely used in kinds of harsh environment and application, like industrial control devices, medical equipments, measuring and inspecting equipments, audio & visual equipments and military, etc. Furthermore, it has excellent compatibility with many leading supplier all over the world. And also we supply different OEM/ODM services serve as different application and requirement.

We holds the mission that trying best to provide the connectors and services beyond their prices and let the customers become more competitive, and takes initiatives to explore the special requirements of the customers which makes Ebuddy be capable of providing the most suitable solution for the users to satisfy their high precision, more stability, excellent compatibility and total cost control etc. Insights to the market and the trend of connector make Ebuddy maintain the innovation and flexibility of the products. Advanced the integrated product development and management, comprehensive product R&D testing and automatic production line guarantee high reliability and high performance of Ebuddy products.

In the future, Ebuddy will focus on high end connectors, Refined quality, wonderful value is brand promotion of Ebuddy which look forward to establish better cooperation relationship with clients from all over the world.

About Us



Customize Service

Low cost

Ebuddy offer competitive price with good quality to help you save at least half cost and earn more rates in the market

Good quality

Ebuddy process 100% QC to ensure the stability of each product, each product supply 6-12month warranty time, any problems in warranty time, we will fix or supply new one

Fast delivery

Ebuddy can supply fast delivery, usually 3-5day for samples, 7-15days for mass production

Small quantity customized service

To ensure our customer can get what they want, Ebuddy can do customized cables as their requirements, even small quantity.

Customize Service

While Ebuddy offeres the most extensive product line in the industry, Ebuddy also understands that some application needs are unique. If Ebuddy does not have exactly what you need, Ebuddy can design and build a connector that meets your exact requirements. Ebuddy offers custom-engineered solutions through innovative design, using state-of-the-art development tools.

These powerful tools allow Ebuddy to demonstrate product feasibility, including: Requirement input---design---design evaluation---risk evaluation---prototyping---customer confirmation---PFMEA---trial producing---improvement---order, in a matter of days or weeks rather than months.

Customize Process:

Requirement confirmation ➔ Feasibility study & design ➔ Risk evaluation ➔ Prototype sample producing ➔ Customer confirmation ➔ PFMEA ➔ Trial producing ➔ Improving & Mass production

Content

- 07 EB-001 Connectors
- 08 B-series
- 17 K-series
- 22 S-series
- 25 F-series
- 27 P-series
- 30 Single-core coaxial connectors
- 31 EB-002 Connector
- 34 Multipole
- 38 PCB drilling pattern
- 42 Collet
- 43 Accessories(plug cap, panel washers, jacket)
- 46 Plug assembly drawing
- 47 Cable assembly solution
- 49 Inspection and manufacturing equipment



Products Show

>> EB-001 series electric connectors introduction

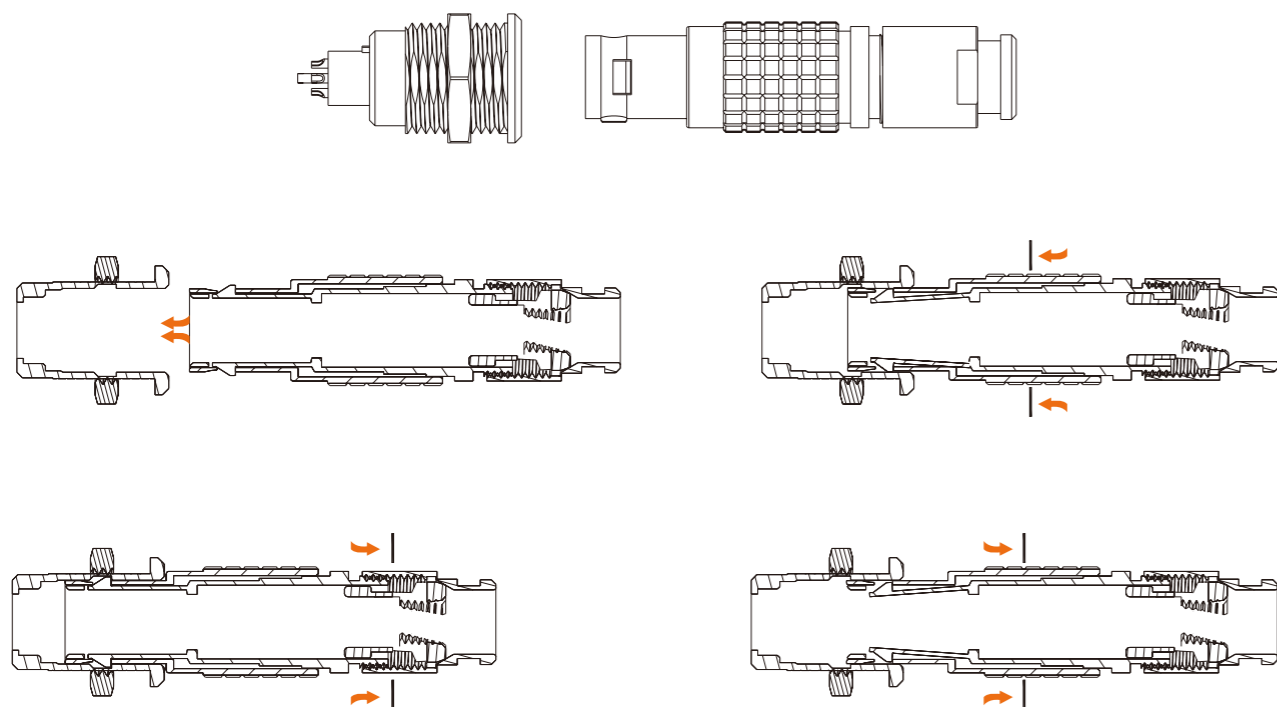
EB-001 series electric connectors

SER-001 series circular connector that is used self-latching push-pull structure, it is widely used in electronics, video processing, medical and other equipment on the electrical signal connection. Especially for frequent connections and separations, to be screened on the instrumentation and equipment and the electrical signal connection.

Main features:

- Push-pull self-latching system makes it easy for mating and unmating. (Anti-slip design on shell surface with tap-tap reminding when self-latching)
- Multi-contact types 2 to 64 contacts
- Soldering or printed circuit contacts (straight or elbow)
- Keying or printed circuit contacts (<<G>> key standard) for connector alignment
- Multiple key options to avoid cross mating of similar connectors
- High packing density for space savinhgs
- 360° screening for full EMC shielding

How does it Work



>> B-series

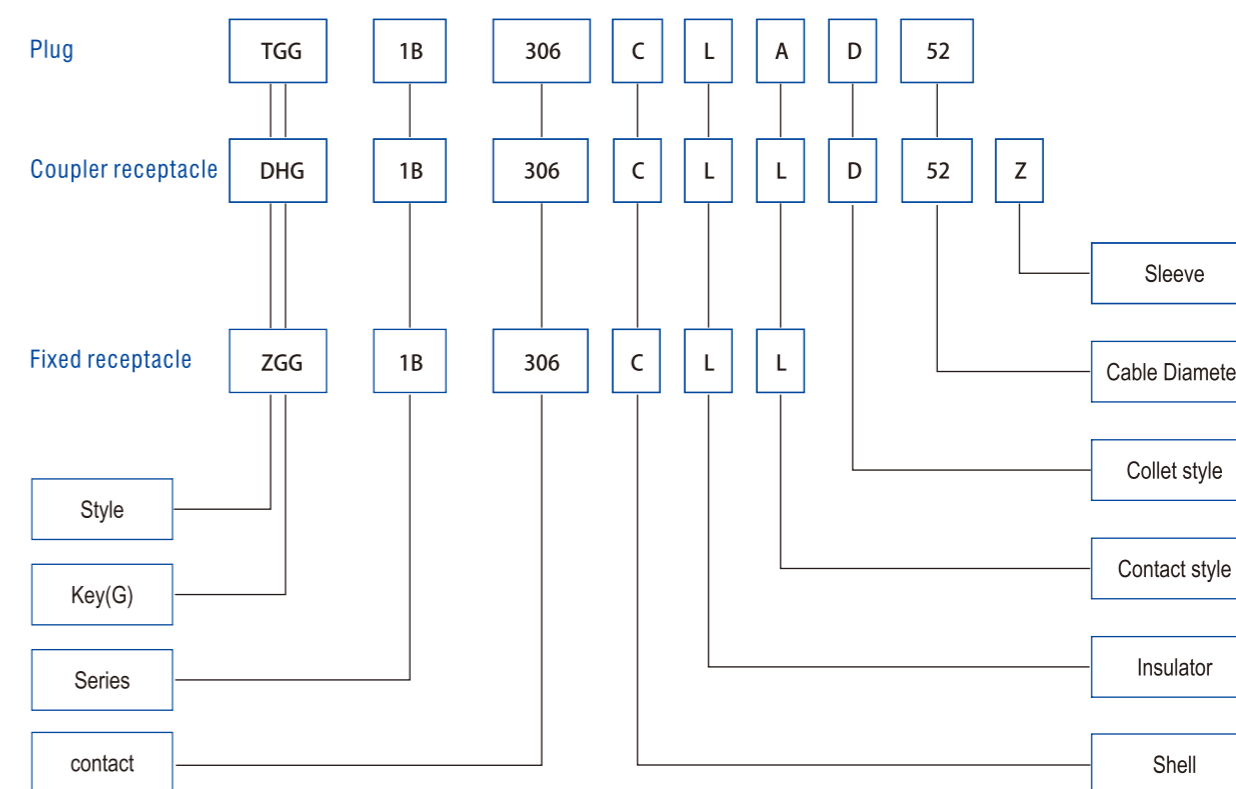
B Series connector with the following main features:

- Security of the push-pull self-latching system ;
- Multicore types with 2 to 32 pins ;
- Solder or PCB contacts (straight or elbow) ;
- High-density installation for space-saving ;
- Multiple key options to avoid cross mating or similar connectors ;
- 360-degree screening for full EMC protection

B Series connector with the following main features:

- Mechanical properties and environmental factors:
- Endurance > 5000 cycles
- Humidity: up to 95% at 60°C
- Temperature range: -45°C ~ +125°C
- Resistance to vibration: 10-20000Hz, 15g
- Shock resistance: 100g, 6ms
- Salt spray corrosion test > 48hrs
- Protection index: IP50

B Series Part Numbering Example:



>> B-series

Part Number Example

Straight plug with sleeve

TGG.1B.306.CLAD62: 1B Series straight plug, keys fixing G, 6 pins, chrome plated brass shell, PPS insulator, solder male contact for 6.2mm diameter cable.

Fixed coupler receptacle

DHG.1B.306.CLLD62Z: 1B Series coupler receptacle, single key fixing(G), 6 pins, chrome plated brass shell, PPS insulator, solder contact for 6.2mm diameter cable, cable collet to fix cable with black sleeve.

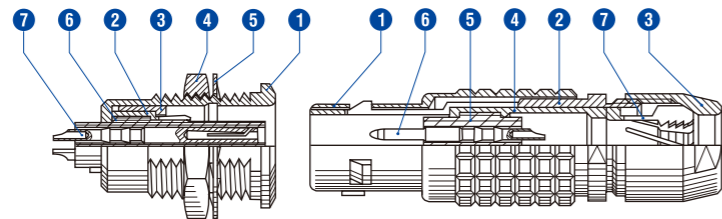
Fixed receptacle

ZGG.1B.306.CLL: 1B Series fixed receptacle, fixed inside of case with nut, key fixing G, 6 pins. Chrome plated brass shell PPS insulator, solder female contact.

Product profile

Fixed socket

- 1 Outer shell
- 2 Earthing crown
- 3 Retaining ring
- 4 Hexagonal nut
- 5 Locking washer
- 6 Insulator
- 7 Female contact



Straight plug

- 1 Outer shell
- 2 Lathc sleeve
- 3 Collet nut
- 4 Split insert carrier
- 5 Insulator
- 6 Male contact
- 7 Collet

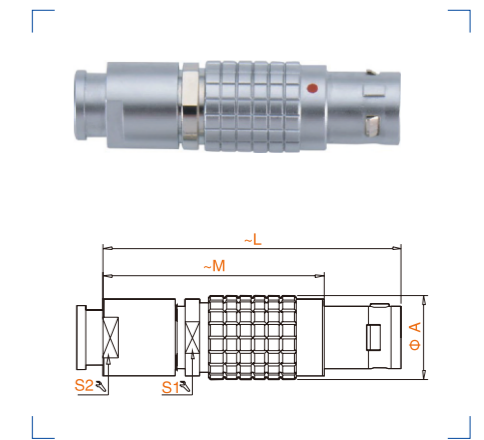
Standar general straight plug, with key (G) or key (A...M, R) to avoid moving and mismatching, cable collet to cable.

Items		Dimension				
Series	Style	A	L	M	S1	S2
00B	TGG	6.4	28.5	20.5	5.5	5.0
0B	TGG	9.5	36.0	26.0	8.0	7.0
1B	TGG	12.0	43.0	32.0	10.0	9.0
2B	TGG	15.0	50.0	38.0	13.0	12.0
3B	TGG	18.0	58.0	43.0	15.0	14.0

>> B-series

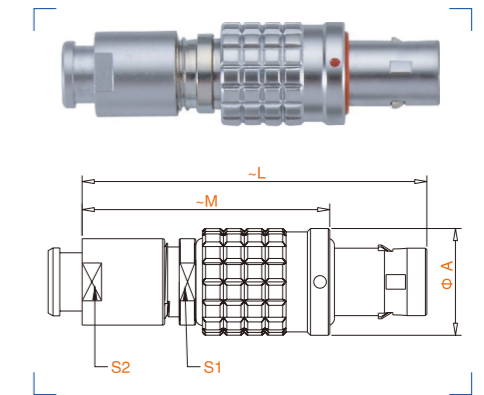
General straight plug, with key (G) or key (A...M, R) to avoid moving and mismatching, cable collet to fix cable, with sleeve to prevent cable from bending

Items		Dimension				
Series	Style	A	L	M	S1	S2
00B	TGG	6.4	36.5	28.5	5.5	6.0
0B	TGG	9.5	35.5	25.0	8.0	7.0
1B	TGG	12.0	42.0	31.0	10.0	9.0
2B	TGG	15.0	49.0	37.0	13.0	13.0
3B	TGG	18.0	56.5	42.0	15.0	15.0



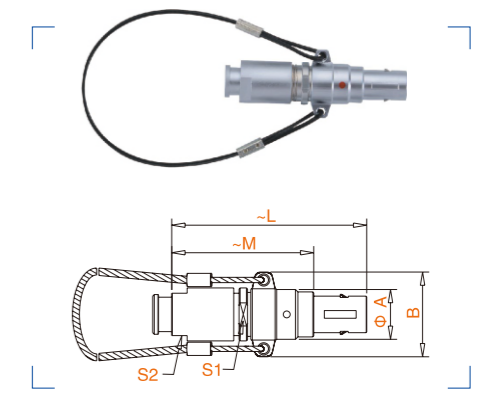
TEG straight plug or keys (A...M and R), cable collet fix the front sealed end cap with sleeve. (IP54 when mated)

Items		Dimension				
Series	Style	A	L	M	S1	S2
0B	TEG	11.0	35.0	25.0	8	7
1B	TEG	13.5	42.0	33.0	10	9
2B	TEG	16.5	48.0	36.0	13	12
3B	TEG	19.0	56.0	41.5	15	15

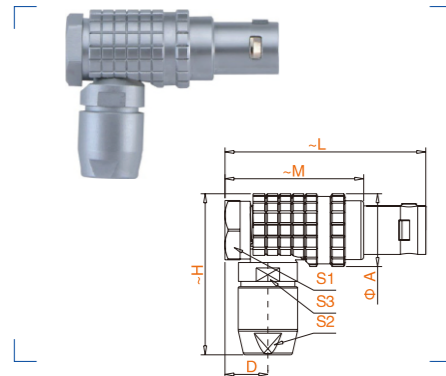


TEG straight plug, key(G)or keys (A...M and R), cable collet and end cap with sleeve.

Items		Dimension						
Series	Style	A	B	L	M	N	S1	S2
0B	TNG	9.5	15.5	36.0	26.0	140	8	7
1B	TNG	12.0	18.0	43.0	32.0	140	10	9
2B	TNG	15.0	21.0	49.0	37.0	160	13	12
3B	TNG	18.0	25.0	58.0	43.0	190	15	14

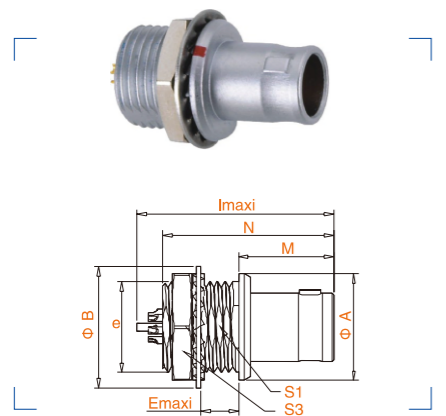


>> **B-series**



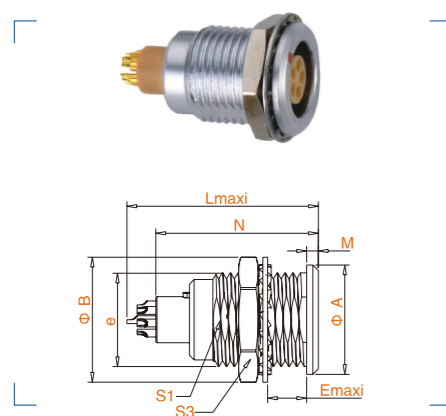
90 degree elbow plug, with key (G) or (A...M, R) to avoid moving and mismatching. Cable collet to fix cable

Items		Dimension							
Series	Style	A	D	H	L	M	S1	S2	S3
0B	THG	11.0	6.5	26.0	31.6	21.6	10	7	8.0
1B	THG	13.5	8.0	30.5	36.0	25.0	11	9	10.0
2B	THG	16.5	9.0	34.0	41.5	29.5	14	12	13.0
3B	THG	19.0	10.0	37.0	50.0	35.0	17	14	15.0



Fixed inside of case, without latching device, fixed nut, with key (G) or key (A...M, R) to avoid moving and mismatching.

Items		Dimension							
Series	Style	A	B	e	E	L	M	N1)	S1
0B	TAG	10	12.4	M9x0.6	4.2	20.8	11.2	18.9	8.2
1B	TAG	14	15.8	M12x1.0	5.4	25.2	12.5	21.6	10.5
2B	TAG	18	19.2	M15x1.0	6.0	28.7	13.8	23.9	13.5
3B	TAG	22	25.0	M18x1.0	5.8	32.1	17.0	30.2	16.5



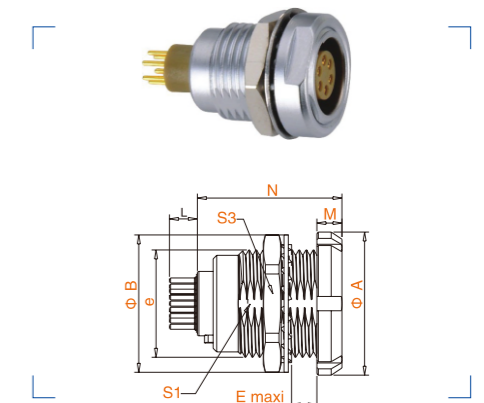
Receptacle assembled outside, fixed inside of case with nut, with key (G) or key (A...M, R) to avoid moving and mismatching.

Items		Dimension								
Series	Style	A	B	e	E	L	M	N1)	S1	S3
00B	ZGG	8	10.2	M7x0.5	6.0	15.5	1.0	13.7	6.3	9
0B	ZGG	10	12.4	M9x0.6	7.0	20.7	1.2	19.1	8.2	11
1B	ZGG	14	15.8	M12x1.0	7.5	23.0	1.5	21.1	10.5	14
2B	ZGG	18	19.2	M15x1.0	8.5	26.7	1.8	24.6	13.5	17
3B	ZGG	22	25.0	M18x1.0	11.5	30.7	2.0	28.1	16.5	22

>> **B-series**

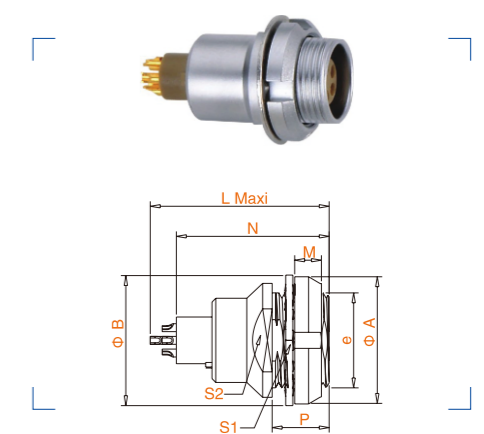
Fixed receptacle assembled, with two nuts, with key (G) or key (A...M, R) to avoid moving and mismatching. (Install the rear panel)

Items		Dimension								
Series	Style	A	B	e	E	L	M	N	S1	S3
0B	ZCG	12	12.4	M9x0.6	5.5	20.7	2.5	19.1	8.2	11
1B	ZCG	16	15.8	M12x1.0	6.0	23.0	3.5	21.1	10.5	14
2B	ZCG	20	19.2	M15x1.0	6.5	26.7	3.5	24.6	13.5	17
3B	ZCG	24	25.0	M18x1.0	9.0	30.7	4.5	28.1	16.5	22



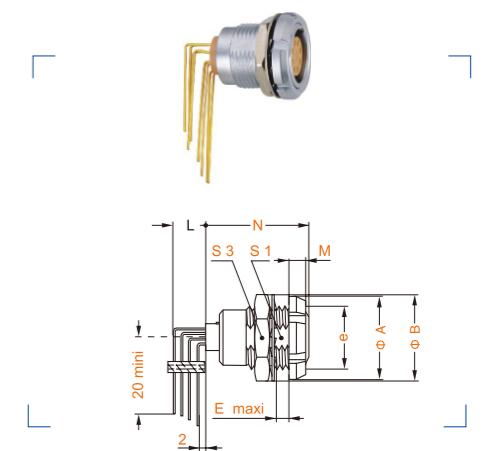
Fixed receptacle assembled, fixed nut, with key (G) or key (A...M, R) to avoid moving and mismatching. (Install the rear panel)

Items		Dimension								
Series	Style	A	B	e	E	L	M	N1)	P	S3
0B	ZEG	12	12.5	M9x0.6	2.4	20.7	2.5	19.1	6.3	8.2
1B	ZEG	16	16.0	M12x1.0	6.5	23.0	3.5	21.1	11.0	10.5
2B	ZEG	20	20.0	M15x1.0	3.0	26.7	3.5	24.6	9.0	13.5
3B	ZEG	24	25.0	M18x1.0	5.0	30.7	4.5	28.1	12.0	16.5

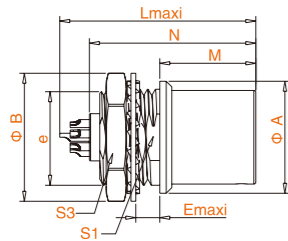


ZCG fixed receptacle, with two nuts, the key (G) or the key (A...M, R) elbow (90 degree) printed circuit pin (Receptacle assembled outside)

Items		Dimension							
Series	Style	A	B	e	E	M	N	S1	S3
0B	ZCG	12	12.4	M9x0.6	2.4	3.5	18.3	8.2	11
1B	ZCG	16	15.8	M12x1.0	6.0	3.5	20.3	10.5	14
2B	ZCG	20	19.2	M15x1.0	6.5	3.5	22.3	13.5	17
3B	ZCG	24	25.0	M18x1.0	9.0	4.5	25.8	16.5	22

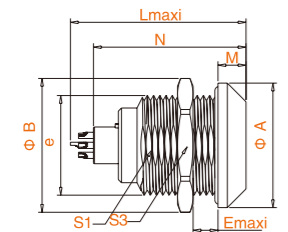


>> **B-series**



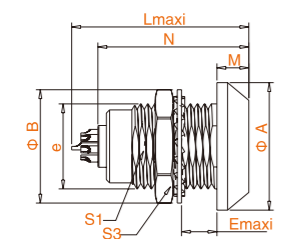
Fixed receptacle, nut fixed and protruding type shell, with key (G) or (A...M, R)

Items		Dimension								
Series	Style	A	B	e	E	L	M	N1)	S1	S3
0B	ZHG	10	12.4	M9x0.6	2	12.5	19.5	19.1	8.2	11
1B	ZHG	14	15.8	M12x1.0	4	12	21.7	21.1	10.5	14
2B	ZHG	18	19.2	M15x1.0	5.1	12.5	22.7	24.6	13.5	17
3B	ZHG	22	25	M18x1.0	7.1	13.5	30.7	30.3	16.5	22



Sealed receptacle assembled outside, nut fixed, with key (G) or key (A...M, R) to avoid moving and mismatching. Watertight or vacuum sealed.

Items		Dimension								
Series	Style	A	B	e	E	L	M	S1	S3	
0B	MGG	13	12.4	M9x0.6	7.0	20.1	3.0	8.2	11	
1B	MGG	18	15.8	M12x1.0	7.0	26.6	4.5	10.5	14	



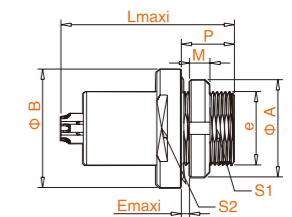
MHG fixed plug, nut fixing, key (G) or key (A...M, R) watertight or vacuumtight (watertight when mated)

Items		Dimension								
Series	Style	A	B	e	E	L	M	S1	S3	
0B	MHG	13	12.4	M9x0.6	7.0	23.2	4.8	8.2	11	
1B	MHG	18	15.8	M12x1.0	7.0	30.3	5.2	10.5	14	
2B	MHG	22	19.2	M15x1.0	8.0	35.6	6.0	13.5	17	

>> **B-series**

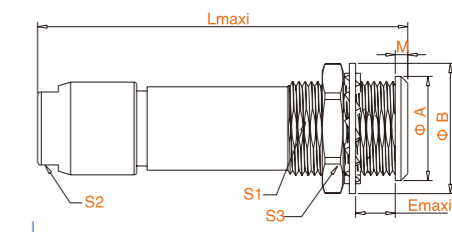
MEG fixed plug, nut fixing, key (G) or (A...M, R) watertight or vacuumtight(back panel mounting)

Items		Dimension								
Series	Style	A	B	e	E	L	M	P	S1	S3
0B	MEG	12	13	M9x0.6	5.5	20.2	2.5	9.0	8.2	-
1B	MEG	16	18	M12x1.0	5.5	26.6	3.5	11.0	10.5	-
2B	MEG	20	20	M15x1.0	7.5	31.6	3.5	9.6	13.5	15



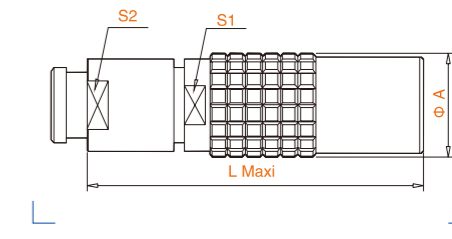
DFG fixed socket, nut fixing, key (G) or key (A...M, R) cable collet

Items		Dimension								
Series	Style	A	B	e	E	L	M	S1	S2	S3
0B	DFG	10	12.4	M9x0.6	7.0	35.5	1.2	8.2	7	11
1B	DFG	14	15.8	M12x1.0	7.5	40.5	1.5	10.5	9	14
2B	DFG	18	19.2	M15x1.0	8.5	47	1.8	13.5	12	17
3B	DFG	22	25.0	M18x1.0	11.5	56	2.0	16.5	14	22

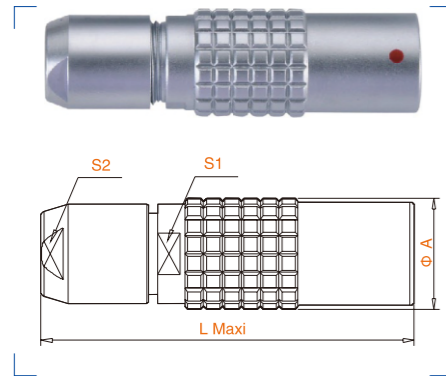


DHG free socket, key (G) or key (A...M, R) cable collet (A...M, R) cable collet (and outer shell)

Items		Dimension			
Series	Style	A	L	S1	S2
0B	DHG	9.5	35.5	8.0	7
1B	DHG	12.5	40.5	10.0	9
2B	DHG	16.5	47.0	13.0	12
3B	DHG	19.0	56.0	15.0	14

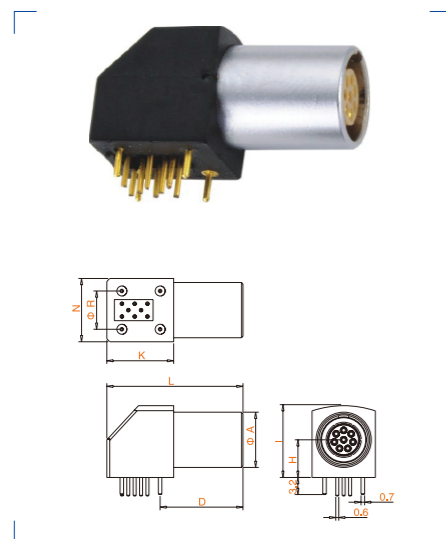


>> B-series



Coupler receptacle, with key (G) or key (A...M, R) to avoid moving and mismatching. Cable collet to fix cable

Items		Dimension			
Series	Style	A	L	S1	S2
0B	DHG	9.5	35.5	8.0	7.0
1B	DHG	12.5	40.5	10.0	9.0
2B	DHG	16.5	47.0	13.0	12.0
3B	DHG	19.0	56.0	15.0	15.0



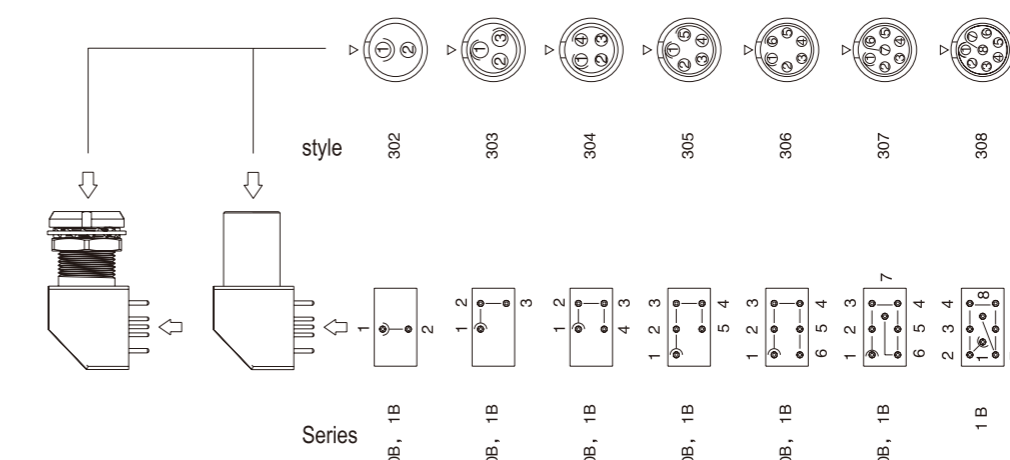
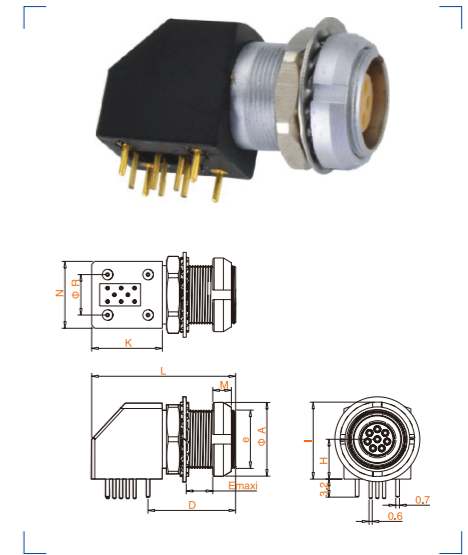
Elbow (90 degree) printed circuit receptacle, with key (G) or key (A...F) to avoid moving and mismatching. (Solder or screw fixed)

Items	Dimension							
	A	D	H	I	K	L	N	R
ZPG.0B.302.HLN	9.0	14.6	6.7	12.7	13.3	25.0	11.7	7.62
ZPG.0B.303.HLN								
ZPG.0B.304.HLN								
ZPG.0B.305.HLN								
ZPG.0B.306.HLN								
ZPG.0B.307.HLN								
ZPG.0B.308.HLN								
ZPG.1B.302.HLN	11.0	16.6	7.5	14.0	13.3	27.0	12.6	7.62
ZPG.1B.303.HLN								
ZPG.1B.304.HLN								
ZPG.1B.305.HLN								
ZPG.1B.306.HLN								
ZPG.1B.307.HLN								
ZPG.1B.308.HLN								

>> B-series

Elbow (90 degree) printed circuit receptacle, fixed with two nuts, with key (G) or key (A...F) to avoid moving and mismatching. (Solder or screw fixed) (Install the rear panel)

Items	Dimension												
	A	B	D	e	E	H	I	K	L	M	N	R	S3
ZXG.0B.302.HLN	12	12.4	14.6	M9x0.6	6.0	6.7	12.7	13.3	25.0	2.5	11.7	7.62	11
ZXG.0B.303.HLN													
ZXG.0B.304.HLN													
ZXG.0B.305.HLN													
ZXG.0B.306.HLN													
ZXG.0B.307.HLN													
ZXG.0B.308.HLN													
ZXG.1B.302.HLN	14	15.0	16.6	M11x0.5	7.5	7.5	14.0	13.3	27.0	3.5	12.6	7.62	13
ZXG.1B.303.HLN													
ZXG.1B.304.HLN													
ZXG.1B.305.HLN													
ZXG.1B.306.HLN													
ZXG.1B.307.HLN													
ZXG.1B.308.HLN													



>> K-series

K Series connector with the following main features:

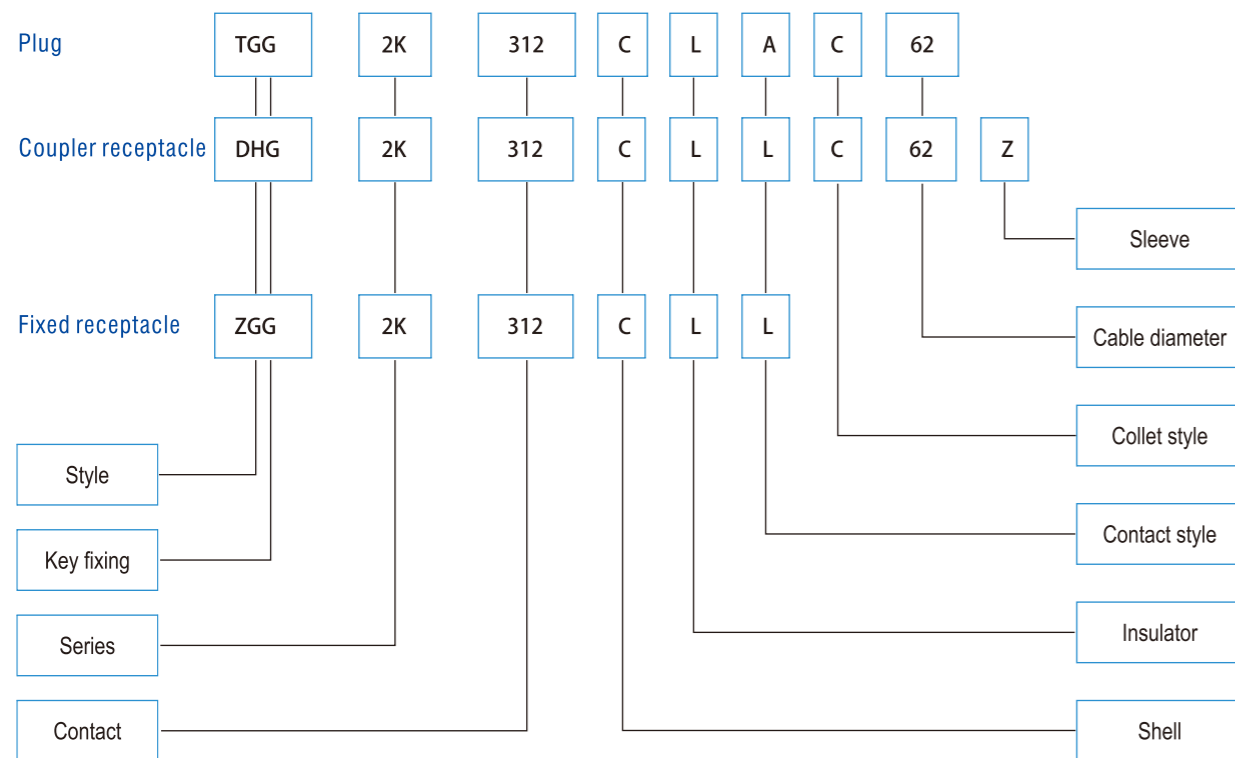
The K series are watertight when mated to give a protection index of IP68 as per IEC 60529 standard (in mated condition) when correctly assembled to an appropriate cable (IP66 otherwise). K series connectors have the same insulators as the B series and have the following main features:

- Smart push-pull self-latching system;
- Multi-core types with 2 to 32 pins;
- Solder or PCB contacts (straight and elbow);
- Different kinds of keying options to avoid mismatching;
- 360 degree screening for full EMC shielding;
- Waterproof connector (IP66 to 68);
- Rugged housing for extremeworking conditions.
- High packing density for space savings.

K Series connector with the following main features:

- Mechanical properties and environmental factors:
- Endurance > 5000 cycles
- Humidity: up to 95% at 60°C
- Temperature range: -45°C ~ +125°C
- Resistance to vibration: 10-20000Hz, 15g
- Shock resistance: 100g.6ms
- Salt spray corrosion test > 48h
- Protection IP66 ~ IP68

K series part numbering example:



>> K-series

Part Number Example

Straight plug with sleeve

TGG.2K.312.CLAC62: 2K Series straight plug, keys fixing (G), multi-contact of 12 pins, chrome plome plated brass shell, PPS insulator, solder male contact, apply to cable diameter of 6.2 cm.

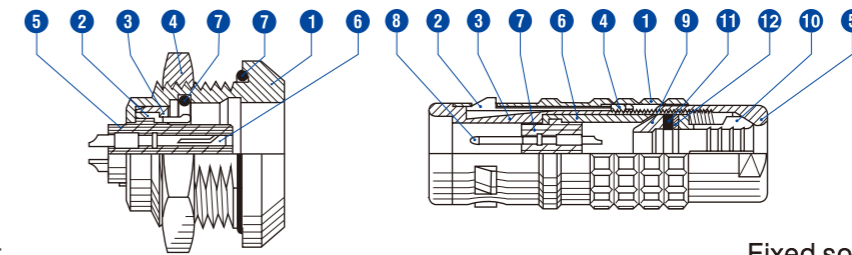
Fixed coupler receptacle

DHG.2K.312CLLC62Z: 2K Series coupler receptacle, key fixing (G), multi-contact of 12 pins, chrome plated brass shell, PPS insulator, solder female contact. Apply to cable diameter of 6.2 cm, cable collet fix with black sleeve.

Fixed coupler receptacle

DHG.2K.312.CLL: 2K Series fixed receptacle, fixed inside of case of case with nut, key fixing (G), multi-contact of 12 pins. Chrome plated brass shell, PPS lengthen insulator, solder female contact.

Product profile



Fixed socket

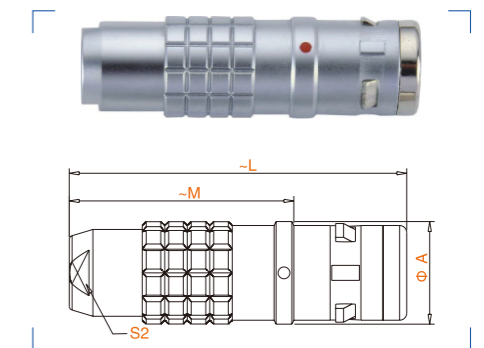
- 1 Outer shell
- 2 Earthing crown
- 3 Retaining ring
- 4 Hexagonal nut
- 5 Insulator
- 6 Female contact
- 7 O-ring

Fixed socket

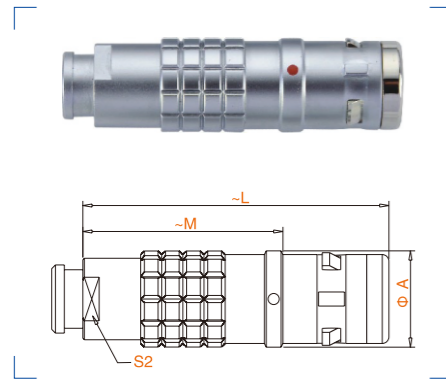
- 1 Outer shell
- 2 Latch sleeve
- 3 Inner shell
- 4 Retaining ring
- 5 Collet nut
- 6 Split insert carrier
- 7 Insulator
- 8 Male contact
- 9 Earthing cone
- 10 Collet
- 11 Gasket
- 12 Washer

Standard general straight plug, waterproof, with key (G) or (A...F, L, R) to avoid moving and mismatching, cable collet to fix cable.

Items		Dimension			
Series	Style	A	L	M	S1
0K	TGG	11	34	23	8
1K	TGG	13	42	28	9
2K	TGG	16	52	36	12

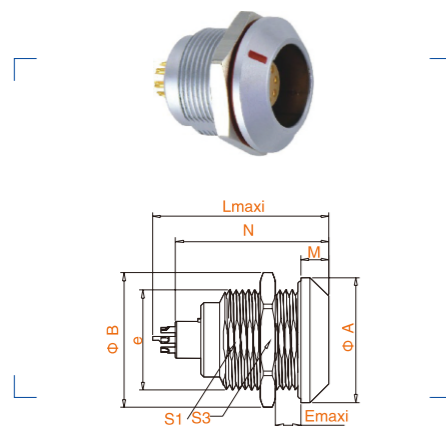


>> K-series



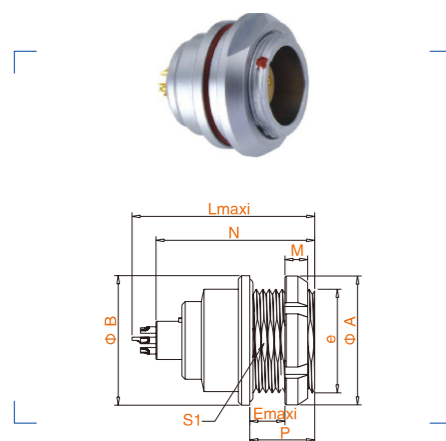
General waterproof plug, with key (G) or (A...F, L, R) to avoid moving and mismatching, cable collet to fix cable, with sleeve to prevent the cable from bending.

Items		Dimension			
Series	Style	A	L	M	S2
0K	TGG	11	34	23	7
1K	TGG	13	42	28	9
2K	TGG	16	52	36	12



Receptacle assembled outside, nut fixed, with key (G) or (A...F, L, R) to avoid moving and mismatching.

Items		Dimension								
Series	Style	A	B	e	E	L	M	N1)	S1	S3
0K	ZGG	18	19.2	M14x1.0	6	21.7	4.0	20.1	12.5	17
1K	ZGG	20	21.5	M16x1.0	9	27.0	4.5	25.1	14.5	19
2K	ZGG	25	27.0	M20x1.0	9	30.7	5.0	28.6	18.5	24



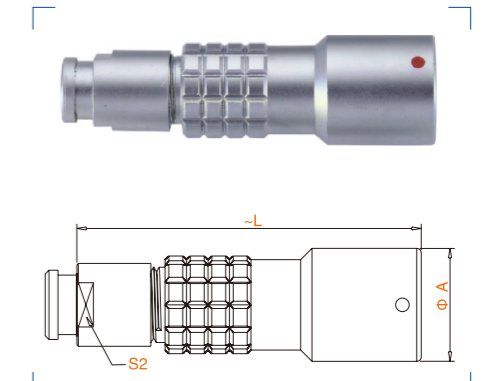
Receptacle assembled inside, nut fixed, with key (G) or (A...F, L, R) to avoid moving and mismatching. (Install rear panel)

Items		Dimension								
Series	Style	A	B	e	E	L	M	N1)	P	S1
0K	ZEG	18	18	M14x1.0	3.4	21.7	3.5	20.1	7	12.5
1K	ZEG	20	20	M16x1.0	6.2	27.0	3.5	25.1	10	14.5
2K	ZEG	25	25	M20x1.0	5.0	30.7	3.5	28.6	10	18.5

>> K-series

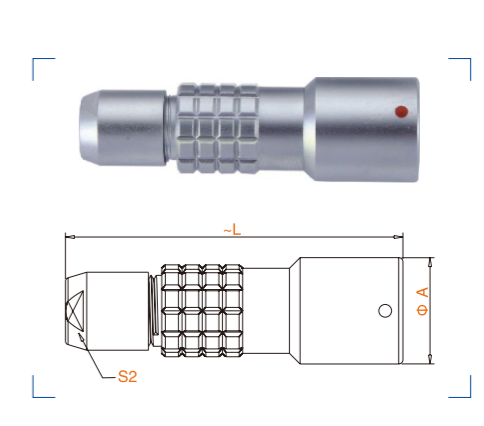
Coupler receptacle, used for connecting between cables, with key (G) or (A...F, L, R) to avoid moving and mismatching. Cable collet to fix cable, with sleeve to prevent cable from bending.

Items		Dimension		
Series	Style	A	L	S2
0K	DHG	13	34	7
1K	DHG	15	45	9
2K	DHG	19	54	12



Coupler receptacle, used for connecting between cables, with key (G) or (A...F, L, R) to avoid moving and mismatching. Cable collet to fix cable.

Items		Dimension		
Series	Style	A	L	S2
0K	DHG	13	34.0	8
1K	DHG	15	42.0	9
2K	DHG	19	52.0	12



>> K-series

Shell (B, K-series)

No.	Outer Shell & Collet		Latch sleeve & Grounding Crown		Other Metal Component	
	Material	Surface	Material	Surface	Material	Surface
C	Brass	Pearl Chrome	Brass/Bronze	Nickel	Brass	Nickel
N	Brass	Nickel	Brass/Bronze	Nickel	Brass	Nickel
K	Brass	Black Chrome	Brass/Bronze	Nickel	Brass	Nickel
S	Stainless Steel	—	Brass/Bronze	Nickel	Brass	Nickel
T	Stainless Steel	—	Stainless Steel	Nickel	Brass	Nickel
U	Stainless Steel	—	Stainless Steel	Nickel	Stainless Steel	Nickel
L	Aluminum Alloy	Positive Pole Plated	Brass/Bronze	Nickel	Brass	Nickel
X	Aluminum Alloy	Black Nickel	Brass/Bronze	Nickel	Brass	Nickel

Remarks: K-series latch sleeve surface plated chrome

Key (G)

Kseries connector model part number are composed of three letters. The LAST LETTER, indicates the key position and the contact type (male or female). For example, straight plugs with <<G>> key or A, B, C, D, E, F, R or Y keys, are fitted with male contacts, whereas with J, K, L, M keys, plugs are fitted with female contacts.

Reference	Nb of keys	Angle	Series		Reference	Angle	Series		Contact type	
			0B	1B			2B	3B	Plug	Socket
G	1		0°	0°	1		0°	0°	Plug	Socket
A	2	α	30°	30°	α	30°	30°	Plug	Socket	
B	2		60°	60°		2	45°	45°	Plug	Socket
C	2		90°	90°		2	60°	60°	Plug	Socket
D	2	β	135°	135°	γ	95°	95°	Plug	Socket	
E	2		145°	145°		2	120°	120°	Plug	Socket
F	2		155°	155°		2	145°	145°	Plug	Socket
J	2	γ	45°	45°	2	α	37.5°	37.5°	Socket	Plug

>> S-series

S Series connector with the following main features:

- Security of the push-pull self-latching system;
- Multi-core type (2-6)
- Solder or PCB contacts (straight and elbow):
- High-density installation for saving space
- High-low insulator positioning avoid mismatching;
- 360degree screening for full EMC shielding

S Series part numbering example:

Straight plug with sleeve

TFA.1S.304.CLAC32: 1S Series straight plug, multi-contact of 4 pins, chrome plated brass shell, PPS insulator, two male and two female, solder contact, apply to cable diameter of 3.2mm, cable collet fix with black sleeve.

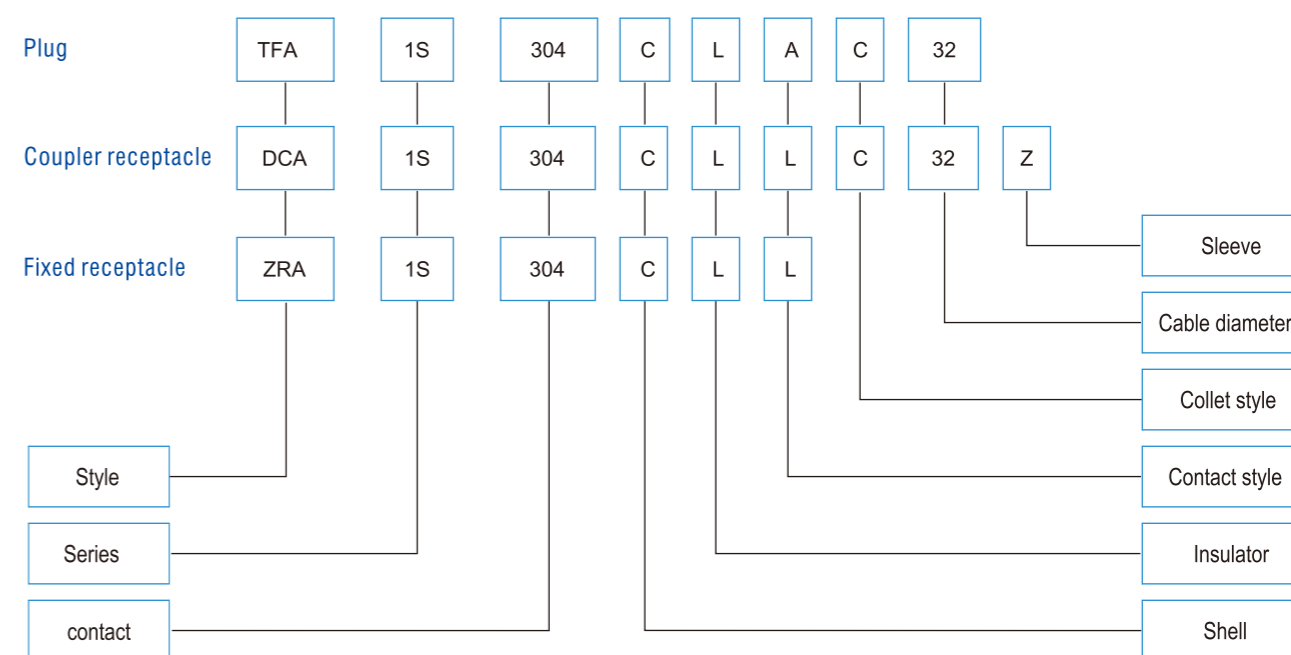
Fixed coupler receptacle

DAC.1S.304.CLLC32Z: 1S Series coupler receptacle, without key, multi-contact of 4 pins, chrome plated brass shell, PPS insulator, two male and two female, solder contact. Apply to cable diameter of 3.2mm, cable collet fix with black sleeve.

Fixed coupler receptacle

ZRA.1S.304.CLL: 1S Series fixed receptacle, fixed with two nuts, without key, multi-contact of 4 pins. Chrome plated brass shell, PPS insulator, two male and two female, solder contact.

S Series part numbering example:

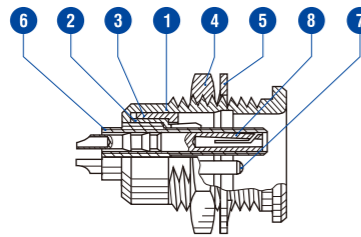


>> **S-series**

Product profile

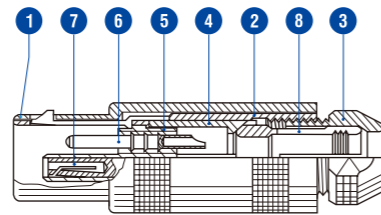
Fixed socket

- 1 Outer shell
- 2 Earthing crown
- 3 Retaining ring
- 4 Hexagonal nut
- 5 Locking washer
- 6 Insulator
- 7 Male contact
- 8 Female contact

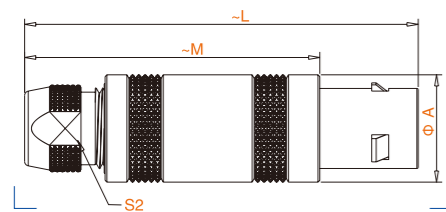


Straight plug

- 1 Outer shell
- 2 Latch sleeve
- 3 Collet nut
- 4 Centre-piece
- 5 Insulator
- 6 Male contact
- 7 Female contact
- 8 Collet



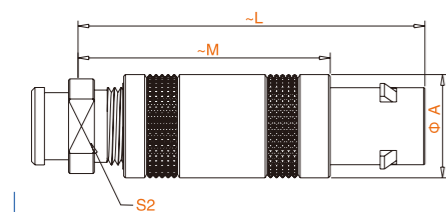
Standard straight plug, cable collet to fix cable. With inside components to avoid cables moving.



Items		Dimension			
series	model	A	L	M	S2
0S	TFA	8.8	34.5	24.5	6.5
1S	TFA	11.8	42.5	31.5	8.5
2S	TFA	14.8	52.0	40.0	11.0



Standard straight plug, cable collet to fix cable. With inside components to avoid cables moving, and sleeve to prevent the cable from bending.

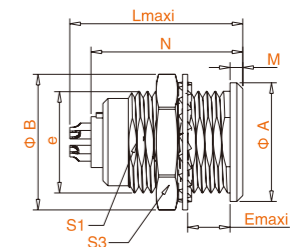


Items		Dimension			
series	model	A	L	S1	S2
00	TFA	6.4	26.0	18.0	6
0S	TFA	8.8	34.5	24.5	7
1S	TFA	11.8	42.5	31.5	9
2S	TFA	14.8	52.0	40.0	12

>> **S-series**

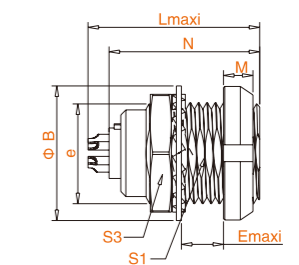
Fixed receptacle, fixed inside with nut.

Items		Dimension							
series	model	A	B	e	E	L	M	S1	S3
00	ZRA	8	10.2	M7x0.5	5.5	14.5	1.0	6.3	9
0S	ZRA	10	12.3	M9x0.6	7.0	21.3	1.2	8.2	11
1S	ZRA	14	16.0	M12x1.0	7.5	23.2	1.5	10.5	14
2S	ZRA	18	19.2	M15x1.0	8.0	24.8	2.0	13.5	17



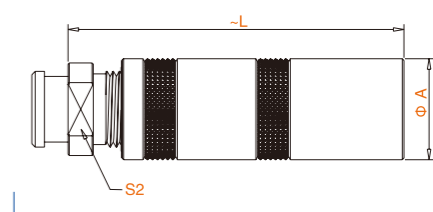
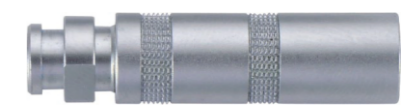
Fixed receptacle, fixed either inside or outside with two nuts.

Items		Dimension								
series	model	A	B	e	E	L	M	N	S1	S3
0S	ZRD	12	12.5	M9x0.6	5.5	21.3	2.5	19.0	8.2	11
1S	ZRD	16	16.0	M12x1.0	6.0	23.2	3.2	2.01	10.5	14
2S	ZRD	20	20	M15x1.0	6.5	24.8	3.5	24.5	13.5	17



Coupler receptacle, used for connecting between cables, with key (N, A, B, W) to avoid moving and mismatching, cable collet to fix cable, with sleeve to prevent the cable from bending.

Items		Dimension		
series	model	A	L	S2
0S	DCA	8.9	33.5	7
1S	DCA	11.9	40.5	9
2S	DCA	14.8	50.0	12

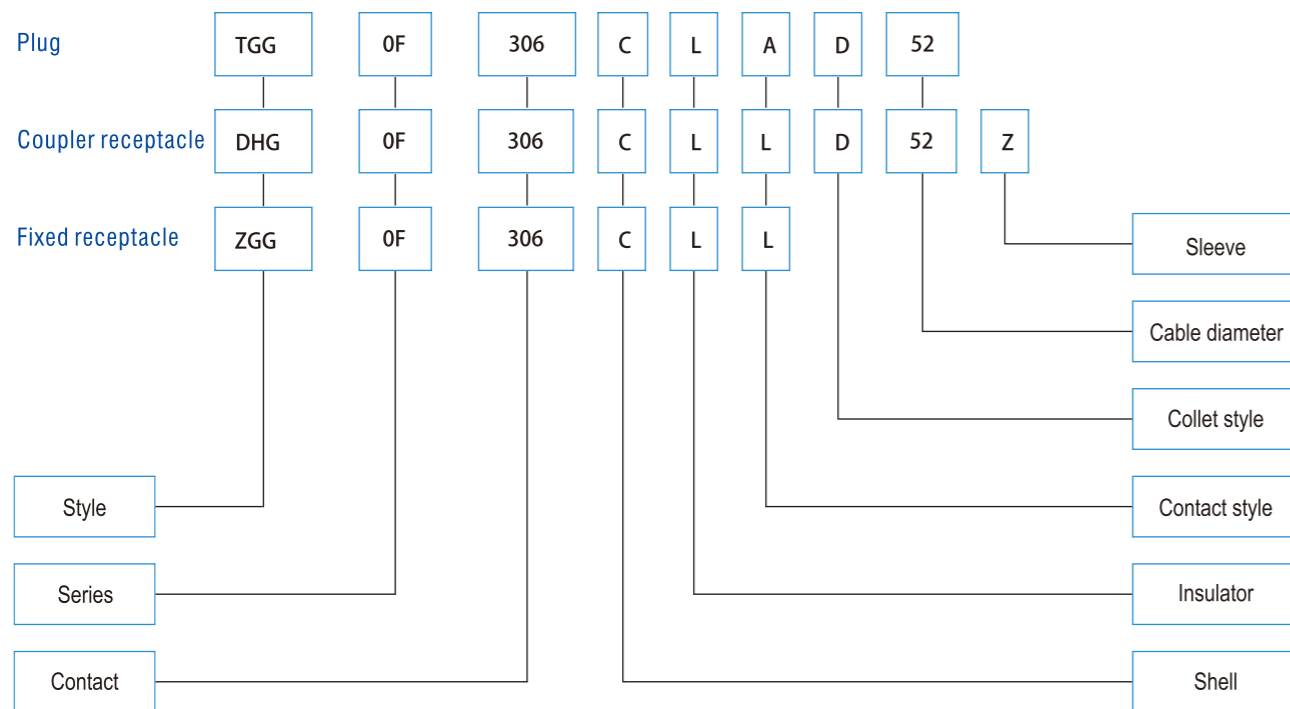


>> F-series

F series connector with the following main features:

- 1) Security of the push-pull self-latching system;
- 2) Multi-core type with 2 to 32 pins;
- 3) Solder and PCB contacts (Straight and bend);
- 4) High-density installation for saving space;
- 5) 360-degree screening for full EMC protection;
- 6) Receptacle is vacuum sealed, suitable for the equipment demanding obturation

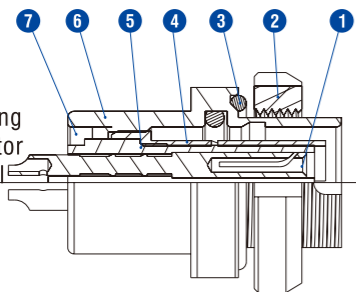
F series part numbering rules:



Product profile

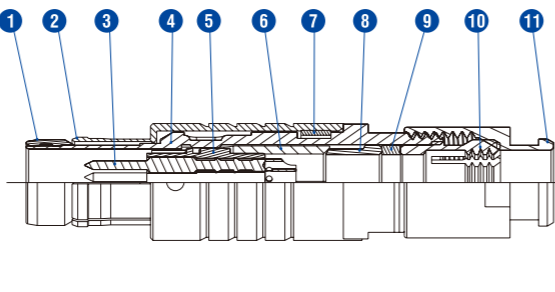
Fixed socket

- 1 Jack
- 2 Slotted nut
- 3 O-rings
- 4 Retaining ring
- 5 Jack insulator
- 6 Socket shell
- 7 Sealant



Straight plug

- 1 Insetting sleeve
- 2 Plug shell
- 3 Pin
- 4 Plug inner sleeve
- 5 Pin insulator
- 6 Ground strip
- 7 Latch sleeve
- 8 Gear ring
- 9 Gasket
- 10 Cable clamp
- 11 Rear camp



>> F-series

Standard straight plug, inside components avoid cable rotating, half-circular metal avoid mismatching.

Items	Dimension
0F TGG	



Vacuum sealed receptacle, outside nut fixed, half-circular metal avoid mismatching.

Items	Dimension
0F TGG	



ZLG short Vacuum sealed receptacle, outside nut fixed, half-circular metal avoid mismatching

Items	Dimension
0F TGG	



TLG short straight plug, more pieces positioned, half-circular metal avoid mismatching.

Items	Dimension
0F TGG	

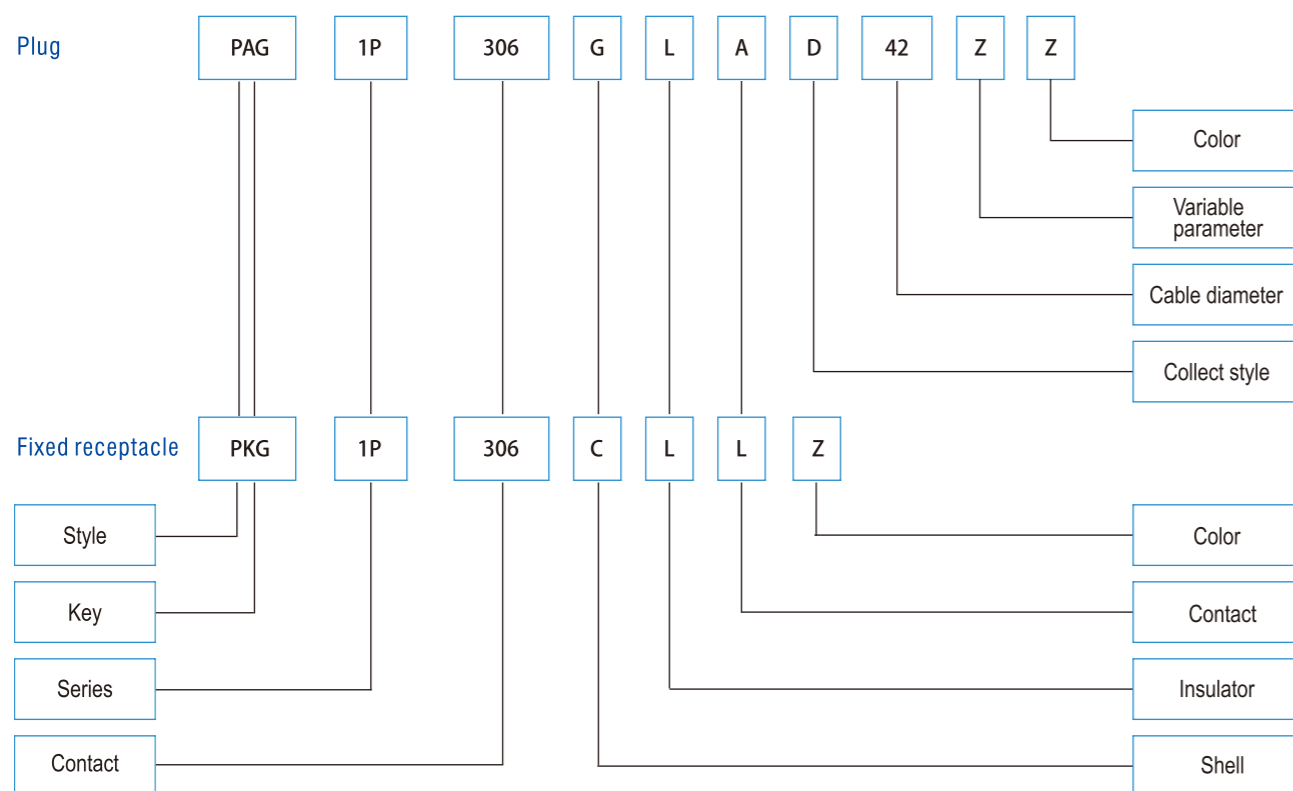


>> P-series

P Series connector with the following main features:

- 1) Smart push-pull self-latching system;
- 2) Multi-core types 2 to 14 pins;
- 3) Solder or PCB contacts;
- 4) High packing density for space saving;
- 5) Collet nut and socket nut with the same color to avoid mismatching.
- 6) Plastic shell, waterproof rating of IP50, double-lead locking, keyway helps to prevent rotation.

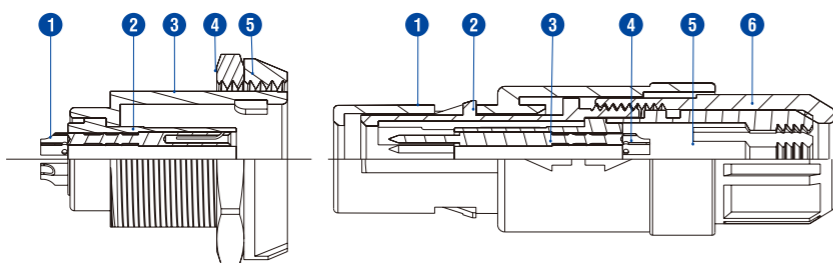
P series part numbering example:



Product profile

Fixed socket

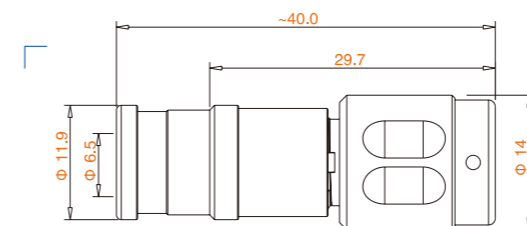
- 1 Contact
- 2 Jack insulator
- 3 Socket shell
- 4 Hexagonal nut
- 5 M14-nut



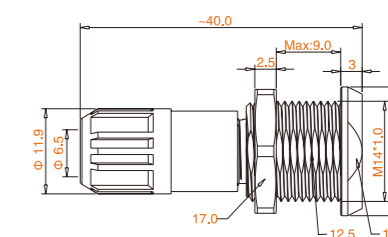
Straight plug

- 1 Plug shell
- 2 Plug inner shell
- 3 Pin insulator
- 4 Pin
- 5 Collect
- 6 Rear nut

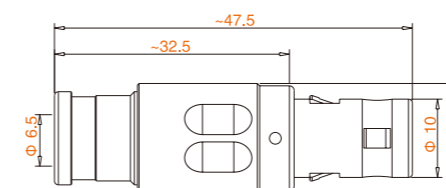
>> P-series



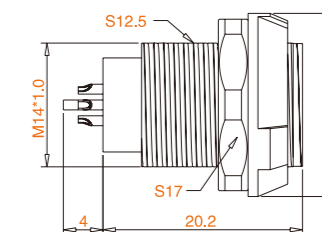
PTG floating receptacle, aluminum alloy shell.



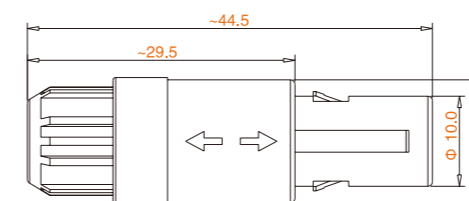
PRG floating receptacle, screw thread fixed, aluminum alloy shell.



PTG standard straight plug, aluminum alloy shell.



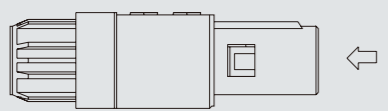




Fixed receptacle, fixed inside of case with nut



Standard straight plug, cable collet to fix cable. With inside components to avoid cables moving.

>> P-series

Key

Key of plug	Diagram			
	0°	40°	60°	80°
				
Key code	G	A	B	C

Collet

Collet code	Cable diameter
42	3.5-4.5
52	4.5-5.5
62	5.5-6.5



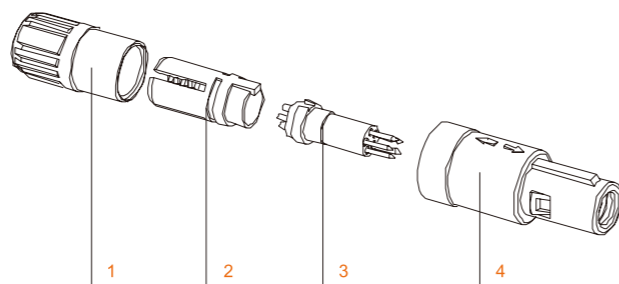
Collet nut color

Color code

Color	Blue	Gray	Yellow	Black	Red	Green
Code	A	G	J	N	R	V

Plug of P series connector

- Get the cable through collet nut collet, then solder it to the corresponding position of insulator subassembly.
- Put the collet onto the soldered insulator subassembly, make sure the heave of collet mate with the slot of insulator subassembly.
- Slide the insulator subassembly into outer shell, make sure the heave of collet mate with the slot of outer shell.
- Put the collet nut into outer shell, and screw the collet nut tightly.



>> Single-core coaxial connectors

Single-core coaxial connectors

Series	serial number	contact style	test voltage	test voltage	rated current	contact diameter	shell size
00S	113	Solder	800V	1200V	8A	1.3mm	based on S series TFA plug and ZRA socket
	250	Solder	2100V	3000V	4A	0.7mm	
0S	116	Solder	1500V	2100V	12A	1.6mm	
	250	Solder	3000V	4200V	6A	0.9mm	
1S	120	Solder	1700V	2400V	18A	2.0mm	
	250	Solder	3000V	4200V	12A	1.6mm	
	275	Solder	2400V	3300V	10A	1.3mm	
1E	250	Solder	3000V	4200V	12A	1.6mm	



Gas-line connector


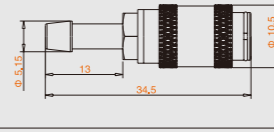

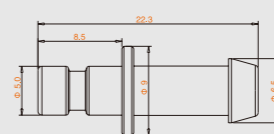
Gas-line connector R&D manufactured by Ebuddy is applied to medical apparatus and gas (water) pipeline, is widely used to the area of medical harness, monitor, oxygen probe, medical line, trachea, oxygen equipment and so on. It is operated conveniently and pushes bits quickly with a good sealability by using Viton seals.

Main Technical Specifications:

Working temperature: -30°C~+60°C

Leakage rating: The pressure difference of 400mmHg, less than 4mmHg / min (0.5Kpa / min)

Medical lifespan: > 1000 (connected and separated)

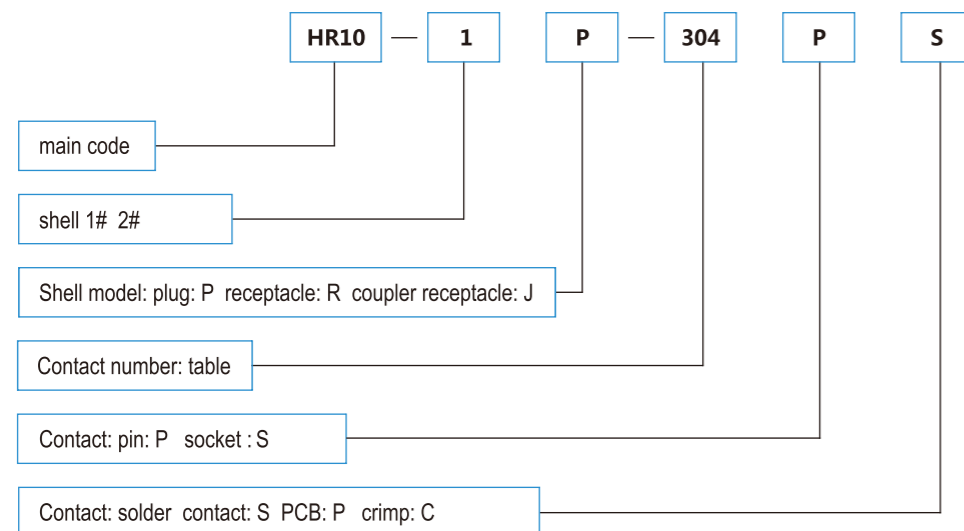
serial number	designation	diagram	outline size	The structure principle	remarks
1	QL-01			Card slot locking, O ring seal	And QL-02
2	QL-02			Card slot locking, O ring seal	And QL-02

>> EB-002 series

EB-002 miniature push-pull self-latching circular electrical connectors are widely used in electronics, instrumentation, video processing, medical equipment and so on. Product features:

- Push-pull self-latching connection to connect easily and quickly separated. (Shell surface non-slip design, self-latching into place when the voice prompts)
- The five keys with a reasonable design features full plug prevention of blindness.
- Compact design minaturization. (Effective space-saving devices, equipment, design and implementation of micro and small)

002 series part numbering rules:



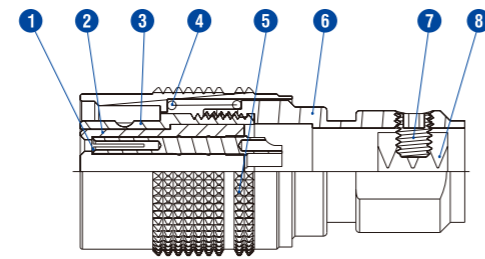
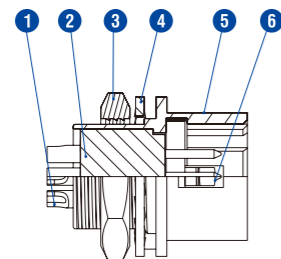
Part numbering example:

HR10-1P-4PS=Main model HR10, 1# shell plug, 4pin solder contact pin.
 HR10-1R-4PS=Main model HR10, 1# shell fixed receptacle, 4pin solder contact pin.
 HR10-1J-4SS=Main model HR10, 1# shell coupler receptacle, 4pin solder contact socket.

Product profile

Fixed socket

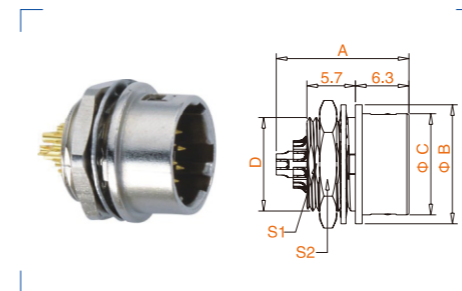
- 1 Pin
- 2 Insulator
- 3 Hexagonal nut
- 4 Locking washer
- 5 Outer shell
- 6 Locking splinter



Straight plug

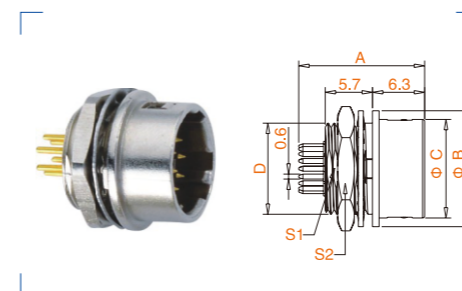
- 1 Jack
- 2 Insulator
- 3 Inner shell
- 4 Pressuring spring
- 5 Locking cover
- 6 Cable set 7
- 7 Headless screw
- 8 U-clip

>> EB-002 series



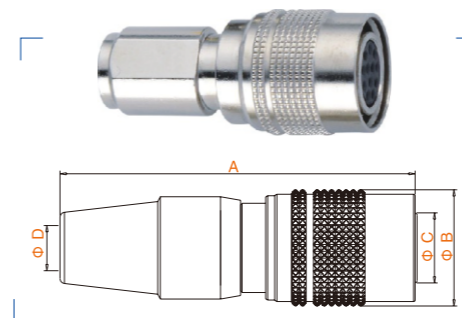
HR10 series welding socket

Shell No.	A	B	C	D	S1	S2
1#	14	11	8.8	M8*0.5	7.2	10
2#	15.6	14	10.9	M11*0.75	10	13



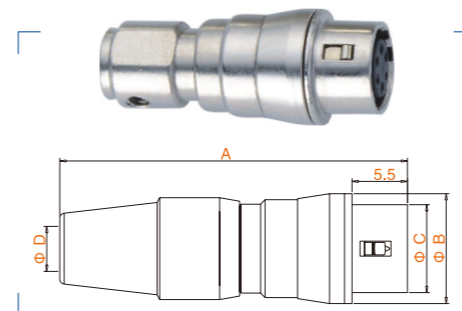
HR10 series plate socket

Shell No.	A	B	C	D	S1	S2
1#	15.5	11	8.85	M8*0.5	7.2	10
2#	15.5	14	11.9	M11*0.75	10	13



HR10 series plug

Shell No.	A	B	C	D
1#	35	11	8.8	6
2#	43	14	10.9	8



HR10 series float socket

Shell No.	A	B	C	D
1#	35	11.5	7.5	6
2#	43	14.5	9.5	8

>> EB-series

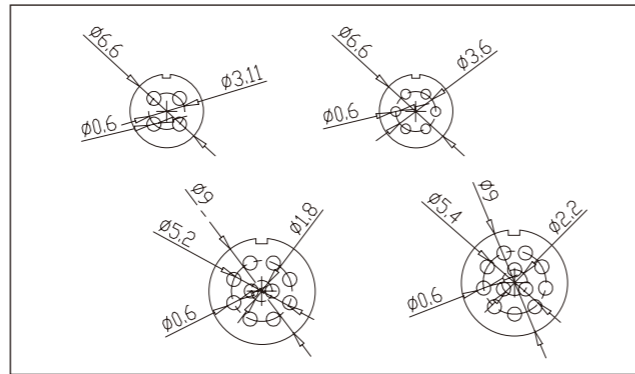
Technical Characteristics

#	Characteristics	Insulator holes alignment	
		shell 1	shell 2
1	Diameter of contact (mm)	0.5	
2	Contact resistance $m\Omega$	10	
3	Working voltage KV/DC	0.3	
	Working voltage KV/AC	0.2	
4	Test voltage KV/DC	0.9	
	Test voltage KV/AC	0.5	
5	Working current A	2	
6	Working Temperature	-50°C~125°C	
7	Endurance	1000	

Alignment Key

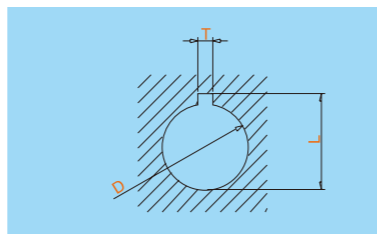
(Front view of plug) Key	
Plug contact way	female/female
Receptacle contact way	male/male
Contact No.	4, 6, 10, 12

Dimension of contact PCB



Fixed panel holes dimensions

Shell No.	D	T	L	B
1	8.0	1.6	9.0	7.3
2	11.1	2.5	11.5	11.3



>> Multipole

	Welding type male needle core	Welding type female needle core	Contact style			welding pin core		Rated current(A)
			welding pin core	PCB with straight pin core	PCB with elbow pin core	V test pin core—pin core	V test (KV rms) pin core—outer shell	
00								
0B 0K								
1B 1K								

- Conventional model, considered first choice; special model, with special need to choice.
- Special type, choose to have special needs.

NO.	pin number	ΦA (mm)	Contact style			welding pin core		Rated current(A)
			welding pin core	PCB with straight pin core	PCB with elbow pin core	V test pin core—pin core	V test (KV rms) pin core—outer shell	
302	2	0.5	●	●	●	1.00	0.95	5.0
303	3	0.5	●	●	●	0.80	0.95	3.0
304	4	0.5	●	●	●	0.80	0.65	2.0
302	2	0.9	●	●	●	1.30	1.05	10.0 ₁₎
303	3	0.9	●	●	●	1.20	0.90	8.0 ₁₎
304	4	0.7	●	●	●	0.85	0.70	7.0 ₁₎
305	5	0.7	●	●	●	1.00	0.70	6.5 ₁₎
306	6	0.5	●	●	●	0.85	0.65	2.5
307	7	0.5	●	●	●	0.80	0.70	2.5
309	9	0.5	●	●	○	0.60	0.50	2.0
302	2	1.3	●	●	●	1.50	1.35	15.0 ₂₎
303	3	1.3	●	●	●	1.30	1.55	12.0
304	4	0.9	●	●	●	1.35	1.45	10.0 ₁₎
305	5	0.9	●	●	●	1.25	1.15	9.0 ₁₎
306	6	0.7	●	●	●	1.05	1.20	7.0 ₁₎
307	7	0.7	●	●	●	0.95	1.05	7.0 ₁₎
308	8	0.7	●	●	●	0.95	1.15	5.0
310	10	0.5	●	●	●	0.90	1.50	2.5
314	14	0.5	●	●	●	0.80	1.20	2.0
316	16	0.5	●	●	○	0.80	1.25	1.5

- 1) Socket with elbow (90 degree) printed circuit pin, rated current 6A.
- 2) Socket with elbow (90 degree) printed circuit pin, rated current 12A.
- 3) Only applied to connectors with male pin.

>> Multipole

NO.	pin number	ΦA (mm)	Contact style			welding pin core		Rated current(A)
			welding pin core	PCB with straight pin core	PCB with elbow pin core	V test pin core—pin core	V test (kV rms) pin core—outer shell	
302	2	2.0	●	●	●	2.10	1.75	30.0 ₂
303	3	1.6	●	●	●	2.40	1.85	17.0 ₂
304	4	1.3	●	●	●	1.85	1.85	15.0 ₂
305	5	1.3	●	●	●	1.75	1.60	14.0 ₂
306	6	1.3	●	●	●	1.35	1.45	12.0
307	7	1.3	●	●	●	1.75	1.60	11.0
308	8	0.9	●	●	●	15.0	1.25	10.0 ₁
310	10	0.9	●	●	●	1.45	1.30	8.0 ₁
312	12	0.7	●	●	●	1.25	1.35	7.0 ₁
314	14	0.7	●	●	●	1.15	1.35	6.5 ₁
316	16	0.7	●	●	●	0.95	1.25	6.0
318	18	0.7	●	●	●	0.85	1.20	5.5
319	19	0.7	●	●	●	0.95	1.25	5.0
326	26	0.5	●	●	○	0.95	1.30	2.0

- 1) Socket with elbow (90 degree) printed circuit pin, rated current 6A.
- 2) Socket with elbow (90 degree) printed circuit pin, rated current 12A.
- 3) Only applied to connectors with male pin.

>> Multipole

Welding type male needle core

Welding type parent needle core

2B
2K

3B
3K

- Conventional model, considered first choice; special model, with special need to choice.
- Special type, choose to have special needs.

Welding type male needle core

Welding type parent needle core

3B
3K

3B
3K

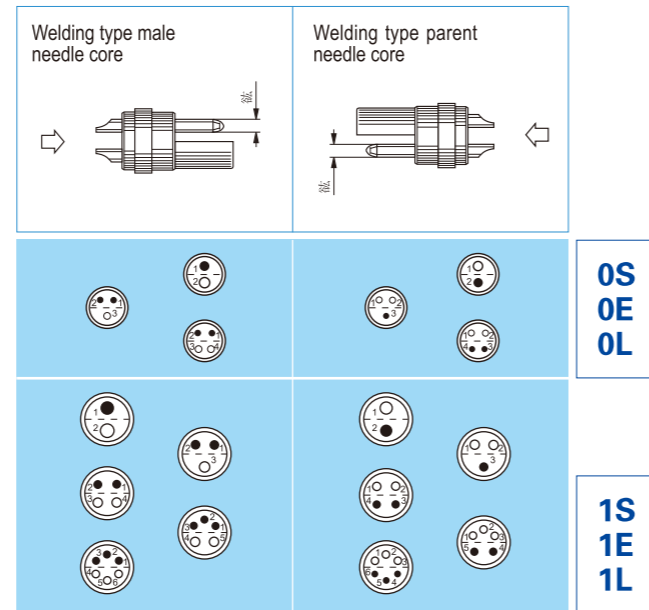
- Conventional model, considered first choice; special model, with special need to choice.
- Special type, choose to have special needs.

NO.	pin number	ΦA (mm)	Contact style			welding pin core		Rated current(A)
			welding pin core	PCB with straight pin core	PCB with elbow pin core	V test pin core—pin core	V test (kV rms) pin core—outer shell	
302	2	3.0	●	○	—	2.10	1.55	35.0
303	3	2.0	●	●	○	1.90	1.50	25.0
304	4	2.0	●	●	○	1.45	1.25	19.0
305	5	1.6	●	●	○	1.90	1.25	19.0
306	6	1.6	●	●	○	1.60	1.15	8.0 ₁
307	7	1.6	●	●	○	1.70	1.25	15.0
308	8	1.3	●	●	●	1.65	1.15	13.0
309	9	1.3	●	●	—	1.35	1.05	6.0
310	10	2.0	●	●	○	1.35	1.05	15.0
312	12	1.3	●	●	●	1.25	0.90	12.0
314	14	0.9	●	●	●	1.45	1.00	9.0
316	16	0.9	●	●	●	1.20	1.20	9.0 ₁
318	18	0.9	●	●	●	1.20	0.85	8.0

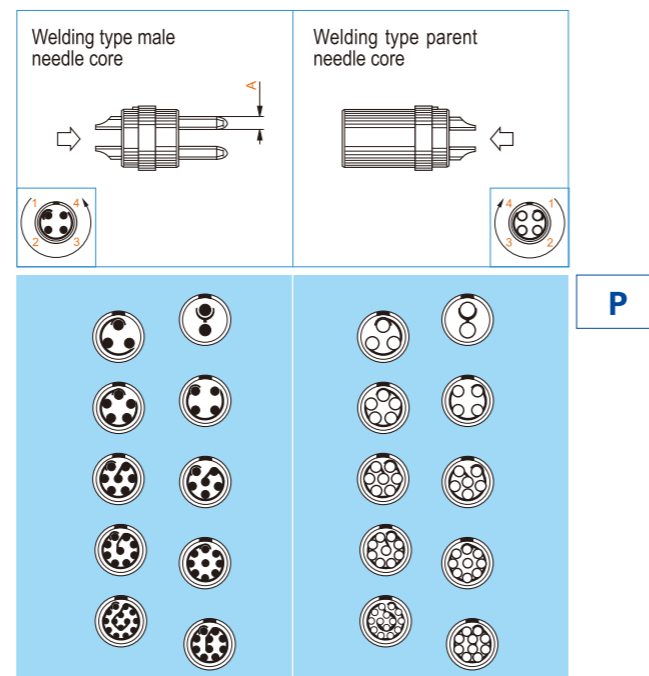
- 1) Socket with elbow (90 degree) printed circuit pin, rated current 6A.
- 2) Socket with elbow (90 degree) printed circuit pin, rated current 12A.
- 3) Only applied to connectors with male pin.

>> Multipole

No.	series		pin core number	ΦA (mm)	pin core style			V test (kV/ms)	V test (kV/ms)	Rated current(A)
	standard series	waterproof series			welding pin core	PCB with straight pin core	PCB with elbow pin core			
302	0S	0E	2	0.9	●	●	●	1.5	2.1	10
303	0S	0E	3	0.7	●	●	●	1.0	1.5	7
304	0S	0E	4	0.7	●	●	●	1.0	1.5	7
302	1S	1E	2	1.3	●	●	●	1.2	1.8	15
303	1S	1E	3	0.9	●	●	●	1.2	1.8	10
304	1S	1E	4	0.9	●	●	●	1.2	1.8	10
305	1S	1E	2 3	0.9 0.7	●	●	●	1.5 1.5	2.1 2.1	10 7
306	1S	1E	6	0.7	●	●	●	1.5	2.1	7



No.	pin core number	ΦA (mm)	pin core style			welding pin core		Rated current(A)
			welding pin core	PCB with straight pin core	PCB with elbow pin core	V test (kV/ms) pin core—pin core	V test (kV/ms) pin core—outer shell	
302	2	1.3	●	●	●	1.20	1.30	10.0
303	3	1.3	●	●	●	1.20	1.20	10.0
304	4	0.9	●	●	●	1.20	1.20	8.0
305	5	0.9	●	●	●	1.05	0.80	7.0
306	6	0.7	●	●	●	1.05	0.85	6.01
307	7	0.7	●	●	●	1.05	0.85	5.0
308	8	0.7	●	●	●	1.05	0.60	5.0
309	9	0.5	●	●	●	0.85	0.60	3.0
310	10	0.5	●	●	●	0.85	0.45	3.0
312	14	0.5	●	●	●	0.60	0.50	2.0



- 1) Socket with elbow (90 degree) printed circuit pin, rated current 6A.
- 2) Socket with elbow (90 degree) printed circuit pin, rated current 12A.
- 3) Only applied to connectors with male pin.

- Conventional model, considered first choice; special model, with special need to choice.
- Special type, choose to have special needs.

>> PCB drilling pattern

ONo.PCB board drilling figure

core number	PCB straight	PCB bent	ZPG/ZXG bent	
2	Drill: 0,8 mm 	Drill: 0,7 mm 	Drill-contact: 0,8 mm Drill-mounting: 0,8 mm 	
3	Drill: 0,8 mm 	Drill: 0,7 mm 	Drill-contact: 0,8 mm Drill-mounting: 0,8 mm 	
4	Drill: 0,6 mm 	Drill: 0,7 mm 	Drill-contact: 0,8 mm Drill-mounting: 0,8 mm 	
5	Drill: 0,6 mm 	Drill: 0,7 mm 	Drill-contact: 0,8 mm Drill-mounting: 0,8 mm 	
6	Drill: 0,6 mm 	Drill: 0,7 mm 	Drill-contact: 0,8 mm Drill-mounting: 0,8 mm 	
7	Drill: 0,6 mm 	Drill: 0,7 mm 	Drill-contact: 0,8 mm Drill-mounting: 0,8 mm 	

>> PCB drilling pattern

1No.PCB board drilling figure

PINS	PCB straight	PCB bent	ZPG/ZXG bent	
2	Drill: 0,8 mm 	Drill: 0,9 mm 	Drill-contact: 0,8 mm Drill-mounting: 0,8 mm 	
3	Drill: 0,8 mm 	Drill: 0,9 mm 	Drill-contact: 0,8 mm Drill-mounting: 0,8 mm 	
4	Drill: 0,6 mm 	Drill: 0,7 mm 	Drill-contact: 0,8 mm Drill-mounting: 0,8 mm 	
5	Drill: 0,8 mm 	Drill: 0,7 mm 	Drill-contact: 0,8 mm Drill-mounting: 0,8 mm 	
6	Drill: 0,6 mm 	Drill: 0,7 mm 	Drill-contact: 0,8 mm Drill-mounting: 0,8 mm 	

>> PCB drilling pattern

1No.PCB board drilling figure

PINS	PCB straight	PCB bent	GF/GG PCB bent	
7	Drill: 0,6 mm 	Drill: 0,7 mm 	Drill-contact: 0,8 mm Drill-mounting: 0,8 mm 	
8	Drill: 0,6 mm 	Drill: 0,7 mm 	Drill-contact: 0,8 mm Drill-mounting: 0,8 mm 	
10	Drill: 0,6 mm 	Drill: 0,7 mm 	Drill-contact: 0,8 mm Drill-mounting: 0,8 mm 	
14	Drill: 0,6 mm 	Drill: 0,7 mm 		

>> PCB drilling pattern

1No.PCB board drilling figure

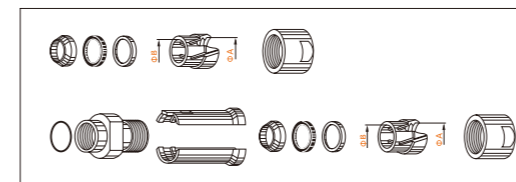
Core number	PCB straight	PCB bent
3	Drill: 0,8 mm 	Drill: 0,9 mm
4	Drill: 0,8 mm 	Drill: 0,9 mm
5	Drill: 0,8 mm 	Drill: 0,9 mm
6	Drill: 0,8 mm 	Drill: 0,9 mm
7	Drill: 0,8 mm 	Drill: 0,9 mm
8	Drill: 0,8 mm 	Drill: 0,9 mm

Core number	PCB straight	PCB bent
10	Drill: 0,8 mm 	Drill: 0,7 mm
12	Drill: 0,6 mm 	Drill: 0,7 mm
14	Drill: 0,6 mm 	Drill: 0,7 mm
16	Drill: 0,6 mm 	Drill: 0,7 mm
18	Drill: 0,6 mm 	Drill: 0,7 mm
19	Drill: 0,6 mm 	Drill: 0,7 mm

>> Collet

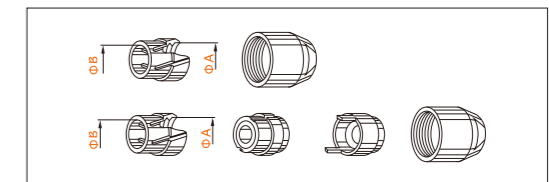
C-type and K-type collets for K

	No.		cable clamp		electric cable	
	type	coding	Φ A	Φ B	maximum	minimum
0K	C	30	3.1	-	3.0	2.6
	C	40	4.2	4.2	4.0	3.6
	C	45	5.2	5.2	4.5	4.1
	C	50	5.2	5.2	5.0	4.6
1K	C	45	5.2	-	4.5	4.1
	C	50	5.2	-	5.0	4.6
	C	55	6.2	6.2	5.5	5.1
	C	60	6.2	6.2	6.0	5.6
	K	70	7.2	-	7.0	6.6
2K	C	65	7.2	-	6.5	6.1
	C	70	7.2	-	7.0	6.6
	C	85	9.2	8.6	8.5	8.1
	K	11	11.2	10.6	10.5	10.1



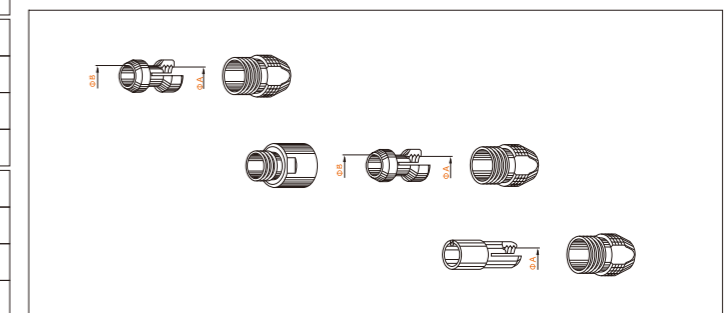
B-type and D-type collets for M

	No.		cable clamp		electric cable	
	type	coding	Φ A	Φ B	maximum	minimum
0B	D	27	2.7	-	2.6	2.1
	D	32	3.2	-	3.0	2.1
	D	42	4.2	-	4.0	3.1
1B	D	52	5.2	4.7	5.0	4.1
	M	31	3.1	-	3.0	2.6
	D	42	4.2	-	4.0	3.1
	D	52	5.2	-	5.0	4.1
	D	62	6.2	-	6.0	5.1
2B	D	72	7.2	6.7	7.0	6.1
	M	42	4.2	-	4.0	3.1
	D	52	5.2	-	5.0	4.1
	D	62	6.2	-	6.0	5.1
	D	72	7.2	-	7.0	6.1
	D	82	8.2	-	8.0	7.1
	D	92	9.2	8.6	9.0	8.1
D	99	9.9	8.6	9.7	9.1	



C-type and K-type collets for B

	No.		cable clamp		electric cable	
	type	coding	Φ A	Φ B	maximum	minimum
0S	C	27	2.7	-	2.6	2.2
	K	37	3.7	-	3.6	3.0
1S	C	32	3.2	-	3.1	2.7
	C	42	4.2	3.7	4.1	3.3
	K	47	4.7	-	4.6	3.8
	C	52	5.2	-	5.1	4.3



>> Accessories (plug cap)

Dust-proof cover

Style of BRK, B, K, series

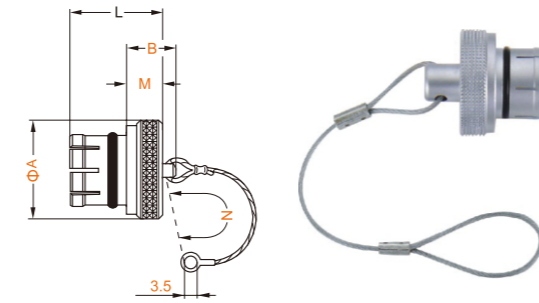
Housing Material: Brass plated lanyard material: Stainless steel

O-ring Sealed: Silastic nickel

Temp (max): 135°C

IP Rating: 50

Product number	series	size (mm)				
		A	B	L	M	N
BRE.0S.200.NAS	0S-0B	10	9.5	10.5	4.5	85
BRE.1S.200.NAS	1S-1B	14	11.0	12.5	5.0	85
BRE.2S.200.NAS	2S-2B	18	12.0	14.0	6.0	85



Style of BFG K series plug, with licated pin

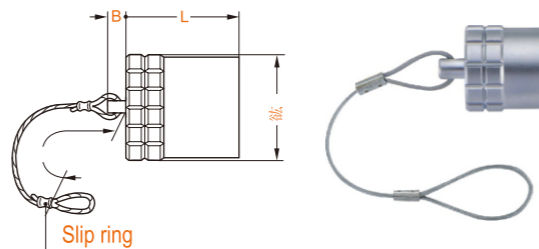
Housing material brass plated lanyard material: Stainless steel

O-ring sealed: Silastic nickel

Temp (max): 135°C

IP Rating: 65-68

Product number	series	size (mm)			
		A	B	L	N
BFG.0K.100.NAS	0K	14.0	6	12.5	85
BFG.1K.100.NAS	1K	16.0	6	15.5	85
BFG.2K.100.NAS	2K	19.5	6	17.5	85



Style of BFF K series plug

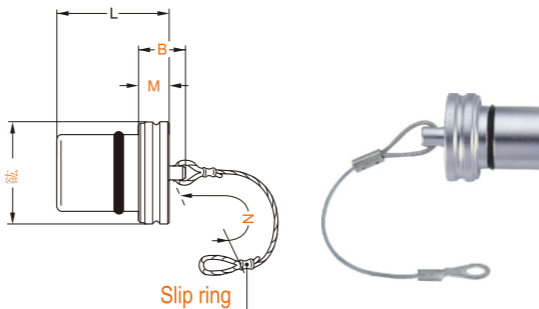
Housing material brass plated lanyard material: Stainless steel

O-ring sealed: Silastic nickel

Temp (max): 135°C

IP Rating: 50

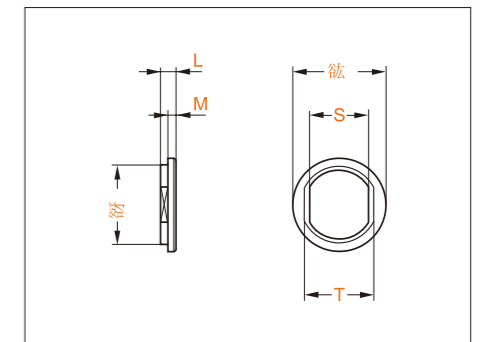
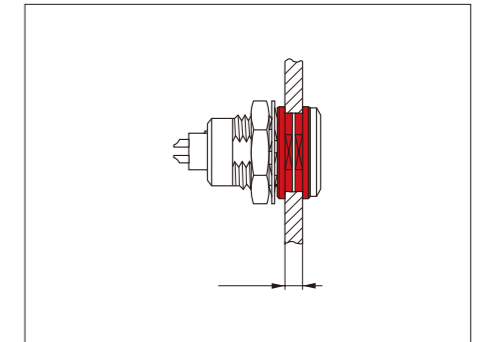
Product number	series	size (mm)				
		A	B	L	M	N
BRF.0K.200.NAS	0K	15.0	10	15.0	4	85
BRF.1K.200.NAS	1K	17.0	12	20.0	6	85
BRF.2K.200.NAS	2K	20.5	14	24.0	8	85



>> Accessories (washers)

GRA insulating washers (color wheel)

Plug and socket attached on board can install insulating washer.



No.	color	No.	color
A	blue	N	black
B	white	R	red
G	gray	S	orange
J	yellow	V	green
M	brown		

Product number	series	size (mm)						
		A	B	E	L	M	S	T
GRA.00.269.GG	00	10.0	8.8	4.5	1.8	1.0	6.4	8.0
GRA.0B.269.GG	0S-0B	12.0	10.8	6.0	1.8	1.0	8.3	9.9
GRA.1B.269.GG	1S-1B	16.0	13.8	6.5	1.8	1.0	10.6	12.2
GRA.2B.269.GG	2S-2B	21.1	17.9	7.3	2.3	1.3	13.6	16.2

>> Accessories (Jacket)

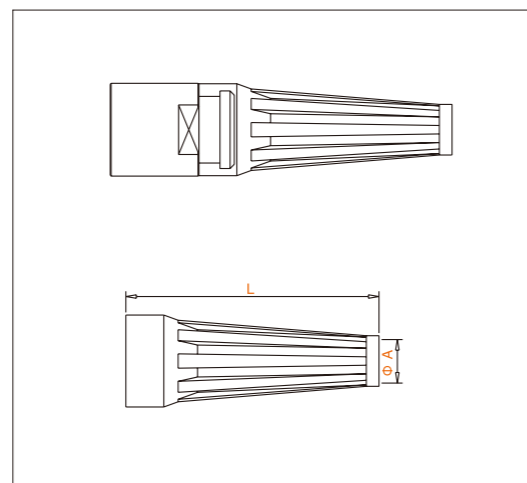
Jacket

GM Jacket (Polyurethane)

Jacket is made of Polyurethane material, english abbreviation is PU. Containing strong level of ammonia Allophanate group, so PU doesn't integrate into non-level groups, it has good oil resistance, toughness, resistance to abrasion, resistance to aging and stickiness. Since Jacket plays a role of protecting cable, so it can be installed on the plug and sockets of our products. In dry air environment temperature range: -40°C +80°C



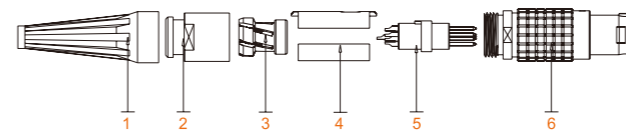
series	Product number	size (mm)			
		sheath		Cable diameter	
		A	L	max.	Min
OO	GMA.OO.028.DG	2.8	22	3.1	2.8
OB OS	GMA.0B.030.DG	3.0	24	3.4	3.0
	GMA.0B.040.DG	4.0	24	4.4	4.0
	GMA.0B.045.DG	4.5	24	5.2	4.5
	GMA.0B.052.DG	5.2	24	5.6	4.5
1B 1S	GMA.1B.040.DG	4.0	30	4.4	4.0
	GMA.1B.045.DG	4.5	30	4.9	4.5
	GMA.1B.054.DG	5.4	30	6.0	5.4
	GMA.1B.065.DG	6.5	30	7.0	6.5
2B	GMA.2B.050.DG	5.0	36	5.5	5.0
	GMA.2B.060.DG	6.0	36	6.5	6.0
	GMA.2B.070.DG	7.0	36	7.7	7.0
	GMA.2B.080.DG	7.8	36	8.8	7.8
	GMA.2B.085.DG	8.5	36	9.2	8.2



number	colour	number	colour
A	blue	N	black
B	white	R	red
G	gray	S	orange
J	yellow	V	green
M	brown		

>> Plug assembly drawing

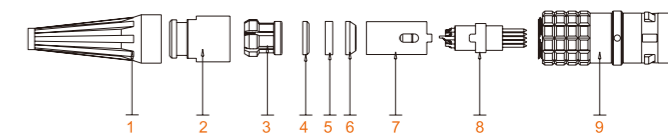
Plug of B series connectors



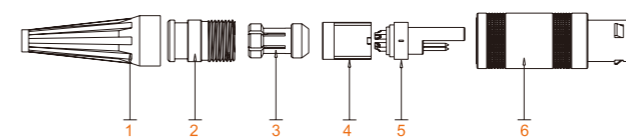
- Get the cable through sleeve ① collet nut ② and collet ③ in order, then soldering it into the insulator ⑤ orderly.
- Put the split insert carrier ④ onto the soldered insulator subassembly ⑤, assure that the slot split insert carrier ④ mate with the heave of insulator subassembly ⑤.
- Put the collet ③ on the right position of cable, make sure the heave of collet ③ mate with the slot of split insert carrier ④.
- Push the insulator subassembly ⑤ split insert carrier ④ collet ③ into the outer shell in order, make sure the heave of split insert carrier ④ mate with the slot of outer shell ⑥.
- Screw the collet nut ② into the outer shell ⑥ tightly.
- Hitch the sleeve ① onto the corresponding step of collet nut ②.

Plug of K series connectors

- Get the cable through sleeve ① collet nut ② collet ③ flexible gasket ④ and earthing cone ⑤ in order, then solder it to the corresponding contacts of insulator subassembly ⑦ orderly.
- Put the split insert carrier ⑥ onto the insulator subassembly ⑦, make sure the heave of split insert carrier ⑥ mate with the slot of insulator subassembly ⑦, then push the earthing cone ⑤ flexible gasket ④ collet ③ to the right position, assure the full sheath of cable insert the earthing cone ⑤.
- Slide the assembled insulator subassembly ⑦ into the outer shell ⑧, make sure the slot of split insert carrier ⑥ mate with the heave of outer shell ⑧.
- Screw the collet nut ② to the outer shell ⑧ tightly.
- Put the sleeve ① to the collet nut ②.



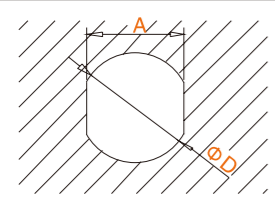
Plug of S series connector



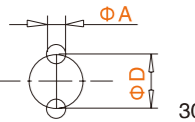
- Get the cable through collet nut ① collet ③ and split insert carrier ④ in order, then solder it to the insulator subassembly orderly.
- Slide the split insert carrier ③ to the insulator subassembly ④, make sure the heave of split insert carrier ③ mate with the slot of insulator subassembly ④, then push collet ② to the right position of cable.
- Push the assembled collet ② split insert carrier ③ and insulator subassembly ④ into the outer shell ⑤.
- Screw collet nut ① into the outer shell ⑤ tightly.

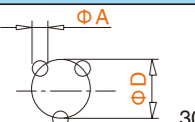
>> Gable assembly

Panel Cut-outs

	00	0B	1B	2B	3B	0K	1K	2K	0S	1S
A	8.3	10.6	13.6	16.6	12.5	14.6	18.6	8.3	10.6	
D	9.1	12.1	15.1	18.1	14.1	16.1	20.1	9.1	12.1	

PCB drilling patterns fixed straight ZRD receptacle (S series)

Core number	classify	0S	1S
	A	0.8	0.8
	D	2.2	3.0
304	A	0.8	0.8
	D	2.8	3.5
306	A		0.8
	D		3.5

Core number	classify	0S	1S
	A	0.8	0.8
	D	2.8	3.5
305	A		0.8
	D		3.5

>> Cable assembly



Application fields

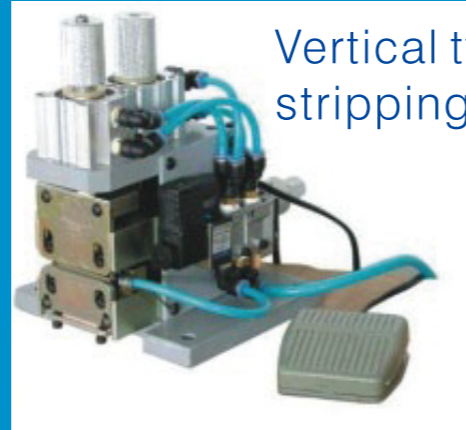
Ebuddy provides complete cable assembly solutions for demanding applications.

- Medical
- Defense security
- Instrumentation
- Transportation
- Industry
- Energy
- Broadcast
- Extreme environment

» **Inspection and manufacturing equipment**



Inspection molding machine



Vertical type wire stripping machine



Precision wire tester



Thermal shock chambers

Circular plug tester



Image measuring instrument



Wire stripping machine



Mechanical vibration meter



Temperature and humidity chamber

Limitness Temperature & Humidity

